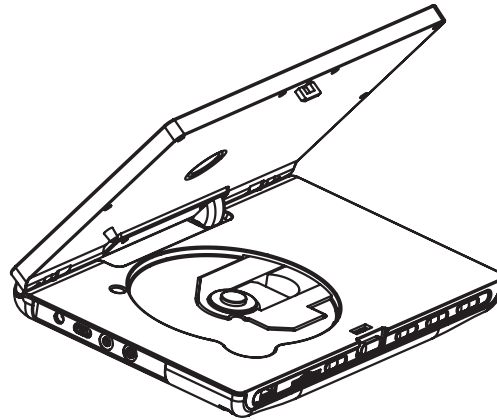


MARQUANT®

MCDKIT-16

INSTRUCTION MANUAL



PORTABLE DVD SYSTEM

WARNING

TO REDUCE THE RISK OF FIRE OR ELECTRIC SHOCK, DO NOT EXPOSE THIS APPLIANCE TO RAIN OR MOISTURE.

CAUTION

Use of controls or adjustments or performance of procedures other than those specified herein may result in hazardous radiation exposure.

This Compact Disc player is classified as CLASS 1 LASER product.



CAUTION!

Invisible laser radiation when open and interlocks defeated. Avoid exposure to beam.



FOR SAFE AND EFFICIENT OPERATION

- Do not damage the mains lead.
When not in use, disconnect the mains lead from the outlet. Grasp the plug, not the mains lead, when disconnecting the unit.
- If water should enter the unit, electrical shock or a malfunction may result. Use in an area where there is low humidity and little dust.
- Do not disassemble or alter the unit in any way.
- Do not use the unit in areas where extremes in temperature occur (below 5°C or exceeding 35°C), or where it may be exposed to direct sunlight.
- Because of the CD player's extremely low noise and wide dynamic range, there is a tendency to turn the volume on the amplifier higher than necessary. Doing so may produce an

excessively high output from the amplifier which can cause damage to your speakers. Please be careful in this regard.

- Sudden changes in the surrounding temperature can cause dew to form on the optical pickup lens inside the unit. Under this condition the unit may be unable to operate properly. If this should occur, remove the disc and allow the player to adjust to the surrounding temperature.
- This unit must be operated in a horizontal position.
- Please use the original DVD or VCD or CD or MP3 software, and any copy discs are not recommendable for use.
- The ventilation should not be impeded by covering the ventilation openings with items, such as newspapers, table-cloths, curtains, etc;
- No naked flame sources, such as lighted candles, should be placed on the apparatus;
- It shall not be exposed to dripping or splashing and that no objects filled with liquids, such as vases, shall be placed on the apparatus;
- Do not place the product in closed bookcases or racks without proper ventilation.
- Where the mains plug or an appliance coupler is used as the disconnect device, the disconnect device shall remain readily operable.
- Batteries (battery pack or batteries installed) shall not be exposed to excessive heat such as sunshine, fire or the like.
- Excessive sound pressure from earphones and headphones can cause hearing loss.

To prevent fire or shock hazard, do not expose this appliance to dripping or splashing. No objects filled with liquids, such as vases, shall be placed on the apparatus.

THIS UNIT SHOULD NOT BE ADJUSTED OR REPAIRED BY ANYONE EXCEPT PROPERLY QUALIFIED SERVICE PERSONNEL.

POWER SUPPLY

There are two way for power supply: AC power supply and Lithium battery power supply.

AC power operation

Connect one end of the mains lead to the DC ~IN socket and the other end to an AC outlet, and set the POWER ON/POWER OFF by select switch to POWER ON.

Lithium battery power supply

When the lithium battery be full charged, push the POWER ON/POWER OFF select switch to POWER ON, the unit will start work.

Charging the built-in lithium battery:

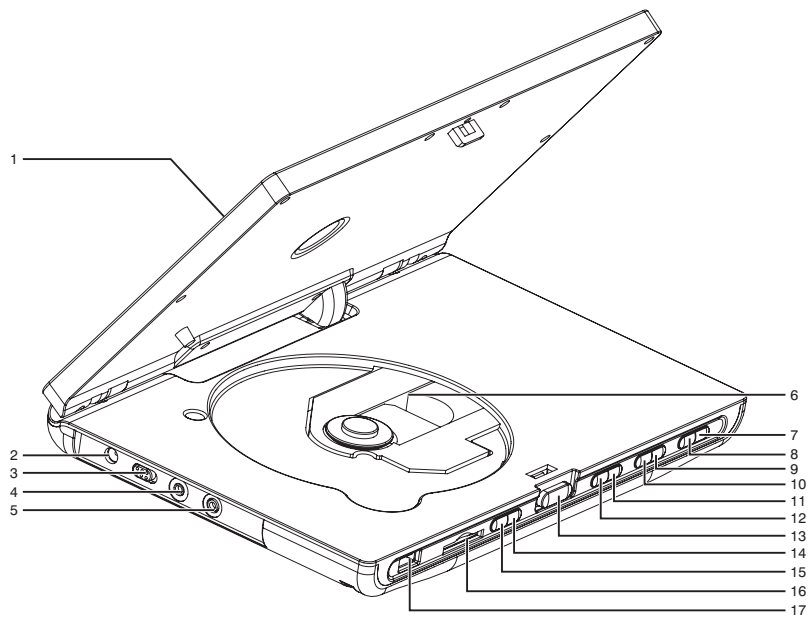
Your DVD player is equipped with a built-in rechargeable lithium battery. Fully charge the battery before using it for the first time.

1. Plug the AC / DC or car adaptor into the jack on the back of the DVD player and insert the plug into a mains wall socket or car cigarette lighter. When the unit is turned on, the power indicator is red.
2. Once you connect the unit to the AC/DC adaptor or car adaptor, the lithium battery will be charged.
3. When the battery is being charged, the battery indicator flashes green.
4. When the battery is fully charged, the indicator becomes green lights on.

CHARGING TIME / PLAYBACK TIME

Charging time: Approx. 4 to 5.5 hours

Playback time: Approx. 1½ to 2 hours

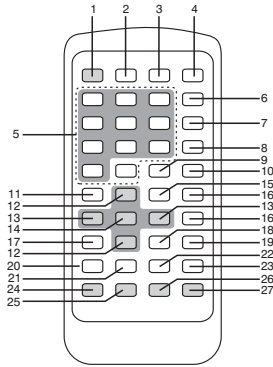


GB-04

THE FUNCTION PARTS OF THE UNIT

1. TFT screen
2. DC~IN socket
3. POWER ON/OFF select switch
4. AV out socket
5. Earphone socket
6. CD/VCD/DVD Compartment Lid
7. SETUP button
8. USB/SD button
9. ←/Volume- button
10. Volume+ /→ button
11. Upward/ Previous song button:
In the menu interface , press the key to move up the option, then press"ENTER" key to enter the current location.
In the CD/VCD/DVD play interface, press the key to enter previous song
12. Downward/ Next button
In the menu interface , press the key to move down the option, then press "ENTER" key to enter the current location.
In the CD/VCD/DVD play interface, press the key to enter next song.
- 13.OPEN Switch
14. STOP button
15. PLAY/PAUSE/ENTER button
16. SD/MMC card socket
17. USB socket

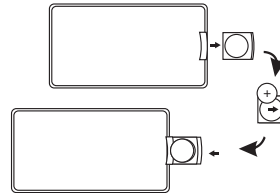
REMOTE CONTROL



- | | |
|----------------------|-----------------------|
| 1. TFT ON/OFF button | 15. ZOOM button |
| 2. USB/CARD button | 16. VOL-/ + button |
| 3. DISPLAY button | 17. AUDIO button |
| 4. MUTE button | 18. SUBTITLE button |
| 5. Number button | 19. PLAY/PAUSE button |
| 6. REPEAT button | 20. ◀ button |
| 7. A-B button | 21. ▶▶ button |
| 8. GOTO button | 22. ◀◀ button |
| 9. TITLE button | 23. ▶▶▶ button |
| 10. STOP button | 24. ANGLE button |
| 11. SETUP button | 25. P/N button |
| 12. ▲ / ▼ button | 26. PROG button. |
| 13. ◀ / ▶ button | 27. Menu/PBC button |
| 14. OK button | |

CAUTION

- When using the remote controller ,make sure the remote controller directly to the remote sink of the unit ,and avoid operating in the 45°C and 5m range having no any bar.
- When the remote controller doesn't use ,change the battery as right picture.
- If the battery isn't used for a long time ,take out it .



GB-06

KEYS INSTRUCTION OF REMOTE CONTROLLER

1. TFT ON/OFF: switch display on/off the TFT display.

2. USB/CARD: press this button to select among DISC, CARD and USB.

3. Display button: display the information of current song.

4. Mute: mute control

5. number button press any number ,direct play the desired track.

6. Repeat button:

Each press of the REPEAT button will change the repeat mode. During MP4/VCD/CD playback, there are three modes: Repeat single ,Repeat all and off. During DVD playback, there are four modes: Repeat chapter, Repeat Title, Repeat all and off.
Note: During VCD playback, the PBC mode must be set to off.

7. A-B button:

Repeat play between A-B point for all discs.

1) Press "A-B" button once at the point where repeat play is started. ("Repeat A-" appears on the TV screen

2) Press "A-B" button again at the point where repeat play is stopped. ("Repeat A-B"

appears on the TV screen)

3) To cancel, press "A-B" button again. (A-B cancel appears on the TV screen.)

8. GOTO button:

Press this button to set the play start bit. Press the button, the screen will display the play information, press left or right button to move high light to select item you desired, then press number buttons to set the value.

9. Title button: press this button to display disc's played title.

10. Stop button: stop play.

11. Setup button: enter into the DVD setup interface.

12. Upward/Downward button: press the key to move up/down the option, then press" OK " button to enter the current location.

13. Left/Right button: press the key to move left/right the option, then press "OK" button to enter the current location.

14. OK button: press to enter an item in the menu or to confirm and execute a selection.

15. Zoom button: repeat this button in turn to Zoom 2, Zoom 3, Zoom4, Zoom 1/2, Zoom 1/3, Zoom1/4, Zoom: off.

16. Vol-/+: turn down/up the volume.
17. audio button: CD/VCD Mode, enter into Audio setup menu, repeat press this button to select left, right, stereo audio.
18. Subtitle button: The button's function is switch subject title in DVD disc play mode. (One DVD disc has over 32 kind of language).
19. Play/Pause button: Switch between Play and Pause.
20. ◀◀ button:
fast backward search button
21. ▶▶ button:
fast forward search button
22. ⏮ button,
pre-view skip button
23. ⏭ button
next-view skip button
24. angle button
when you watch match, musical or drama is DVD DISC,
you can press this key to choose many difference angle to watch in detail.
25. P/N button
switch between PAL mode and NTSC mode
26. PROG button: press PROG button, enter desired track in sequence by setting the program play.
Press this button enter into program play

interface, such as:

When playing DVD:

T	C	T	C	T	C	T	C
1	---	5	---	9	---	13	---
2	---	6	---	10	---	14	---
3	---	7	---	11	---	15	---
4	---	8	---	12	---	16	---
PROGRAM				PLAY		CLEAR	

"T" denotes Title, "C" denotes chapter

When playing CD/VCD:

1	---	5	---	9	---	13	---
2	---	6	---	10	---	14	---
3	---	7	---	11	---	15	---
4	---	8	---	12	---	16	---
PROGRAM				PLAY		CLEAR	

Press upward/downward/left/right button to move high light to design point, then press number button to set title and chapter which you desired. Move the high light to "play" after finishing the setup of the program play, then press OK button, the unit will play the DVD DISC in sequence according to the program sequence you just do. If you want to cancel the program play, move the high light to "Clear program", then press OK button.

Tip: When play DVD disc, you must input title and chapter, and when play MP3/MP4/CD/VCD, you just only input chapter.

27. Menu/PBC:

In CD/VCD play mode, open or close PBC.
In DVD play mode, enter song play menu.

GENERAL OPERATION

1. Connect one end of the mains lead to the DC ~IN socket and the other end to an AC outlet, the indicator light will display green.
2. Press the CD/VCD/DVD Compartment Lid open button to open the Compartment Lid, put the DISC in.
3. Set the POWER ON/OFF select

- switch to POWER ON, the indicator light will display red, and the unit will automatically play the DISC.
4. Press the Play/Pause button to pause the play, press twice to resume play.
 5. Press Stop button to stop the play.
 6. Press power button to switch off the unit.

DVD PLAYING OPERATION

1. Open the unit, after inserting the disc , close the cover , then the unit will play automatically.
(Press some invalid button, the screen will show "INVALID KEY".)
2. Title/Chapter Search
 - (1) Some discs will have many title, each title will have many chapters. Press Title button on the remote controller in playing, the screen will show title.
 - (2) Press upward/downward/left/right button to select expected title, then press "OK" button to play.
 - (3) Select playing tracks chapter with

- number key "0-9" and "10+" (the entering number must less than the total chapter number), then press "ENTER" to play.
3. Previous and next
During playing, press "◀" "▶" button of the remote controller, each time press the button, jump a chapter to playing.
Press "◀", playing from the next chapter; press "▶", playing from the previous chapter.
 4. Fast forward and fast backward
 - (1) Press the "▶▶" button or "◀◀" button to activate fast forward or fast backward function.
 - (2) Each time you touch the "▶▶", the fast forward speed goes from forward X2, forward

X4, forward X8, forward X20 to normal playback.

(3) Each time you touch the "◀◀", the fast backward speed goes from backward X2, backward X4, backward X8, backward X20 to normal playback.

5. Pausing disc play

(1) Press the "⏸" button to make the disc pause.

(2) Press the "⏸" button again to start playing again.

6. Stopping playback

(1) Press the "■" button once, stop playing, press the button again to stop all play backs without last memory.

(2) Press the "⏸" button to resume from where it is stopped or start play.

7. Change the subtitle

This function only available when there are two or more subtitle languages recorded in the disc.

Press "SUBTITLE" button on the remote controller while playing to change between available subtitle languages. Repeatedly press the button, the subtitle language change among languages the DISC supported.

Some discs record most 32 languages. Please see most subtitle marks on the disc, the number show how many languages had recorded.

8. Repeat function

Press the "REPEAT" button on the remote controller to repeat playing.

Press the first time, showing current repeat mode, select repeat mode according to pressing times, repeat mode is circle as below: repeat chapter → repeat title → repeat All → repeat off.

9. Repeat segment

Press "A-B" button on the remote controller to select expected playing segment, the default is off.

Press once, the repeat begin from A

Press twice, the repeat end from B

Press third, close the repeat function.

10. Screen display playing status

When playing and then press "DISPLAY" button on the remote controller, the screen will display the playing status: title playing time, title remainder time, chapter playing time, chapter remainder time.

SETUP THE DVD MENU FUNCTION

Press "SETUP" button on the remote controller or the unit, the screen will show setup menu. Press direction key (upward/downward/left/right button) to move the high light and set the items, press OK button to confirm. Press the "SETUP" button for the second time, the unit will exit setup interface.

1. System setting

- (1) TV system
 - NTSC
 - PAL
- (2) Screen saver
 - ON
 - OFF
- (3) TV type
 - 4:3 PS
 - 4:3 LB
 - 16:9
- (4) Password
- (5) Rating
 -
 - KID SAFE
 - G
 - PG
 - PG13
 - PG-R

R
NC-17
ADULT

- (6) Default
 - RESTORE

2. Language settings

- (1) OSD Language
 - ENGLISH
 - FRENCH
 - GERMAN
 - DUTCH
- (2) Audio language
 - ENGLISH
 - FRENCH
 - GERMAN
 - DUTCH
- (3) Subtitle language
 - ENGLISH
 - FRENCH
 - GERMAN
 - DUTCH
- (4) Menu language
 - ENGLISH
 - FRENCH
 - GERMAN
 - DUTCH

3. Video setting

(1) Brightness

12
10
8
6
4
2
0

(2) Contrast

12
10
8
6
4
2
0

(3) Hue

+6
+4
+2
0
-2
-4
-6

(4) Saturation

12

10

8

6

4

2

0

(5) Sharpness

8

6

4

2

0

4. Digital setting

(1) Output mode

Line out
RF REMOD

(2) DYNAMIC RANGE

Full
6/8
4/8
2/8
off

(3) DUAL MONO

Stereo
MONO L
MONO R
MIX MONO

CD/VCD PLAYING OPERATION

After selecting the disc, the playing mode auto form according to the type of the disc.

1. VCD Title/Chapter playing (The disc must have PBC function and the PBC is on)

When playing, press " Menu/PBC " button , the screen will show title. Press number key "0-9" and "10+" to select expected chapter (the entering number must less than the total chapter number).

2. Select number to play at first hand in playing CD.

Press number button " 0~9 " and " 10+ " on the remote controller to select song according to track number (if the track number over the disc range, the input is invalid).

Eg: If you select twelfth track, press " 10+ " first and then press " 2 " to select it.

3. Previous and next

During playing, press "◀" "▶" button of the remote controller, each time press the button, jump a chapter to playing.

Press "◀", playing from the next chapter; press "▶", playing from the previous chapter.

4. Fast forward and fast backward

(1) Press the "▶▶" button or "◀◀" button to activate fast forward or fast backward function.

(2) Each time you touch the "▶▶", the fast forward speed goes from forward X2, forward X4, forward X8, for ward X20 to normal playback.

(3) Each time you touch the "◀◀", the fast backward speed goes from backward X2, backward X4, backward X8, backward X20 to normal playback.

5. Pausing disc play

(1) Press the "⏸" button to make the disc pause.

(2) Press the "⏸" button again to start playing again.

6. Stopping playback

(1) Press the "■" button once, stop playing, press the button again to stop al l play backs without last memory.

(2) Press the "⏸" button to resume from where it is stopped or start play.

7. Repeat function

Press the "REPEAT" button on the remote

controller to repeat playing.

Press the first time, showing current repeat mode, select repeat mode according to pressing times, repeat mode is circle as below: repeat single → repeat DIR → repeat all → repeat off.

8. Repeat segment

Press "A-B" button on the remote controller to select expected playing segment, the default is off.

Press once, the repeat begin from A

Press twice, the repeat end from B

Press third, close the repeat function.

9. Screen display playing status

When playing and then press "DISPLAY" button on the remote controller, the screen will display the playing status: Track, chapter playing time, chapter remainder time.

10. Change the audio output

Press the "audio" Button when playing, each time you press, the sound modes will change in sequence. Switch among: Left, Right, Stereo.

JPEG PLAYING OPERATION

JPEG disc is formed by many lists, each list has many JPEG pictures.

After selecting disc and play it, the unit will auto play JPEG disc.

Press "Upward " or "Downward" or "Left" or

"Right" button on the remote controller to select different picture.

Press " OK " button to play selected picture.

Press "left" button to return menu.

MP3/MP4 PLAYING OPERATION

1. MP3/MP4 is formed by many lists (folders), each list has many MP3/MP4 tracks.

After selecting disc and play it, the unit will auto play MP3/MP4 mode.

Press "upward" or "downward" button to select page.

Press "upward", "downward", "left" and "right" button to select track.

Press "OK" to playing selected track.

Press "left" button to return folder.

2. Fast forward and fast backward

(1) Press the "▶▶" button or "◀◀" button to activate fast forward or fast backward function.

(2) Each time you touch the "▶▶", the fast forward speed goes from forward X2, forward X4, forward X8, forward X16 to normal playback.

(3) Each time you touch the "◀◀", the fast backward speed goes from backward X2, backward X4, backward X8, backward X16 to normal playback.

3. Pausing disc play

(1) Press the "⏸" button to make the disc pause.

(2) Press the "▶" button again to start playing again.

4. Stopping playback

(1) Press the "■" button once, stop playing, press the button again to stop all playback without last memory.

(2) Press the "⏮" button to resume from where it is stopped or start play.

5. Repeat function

When playing, press "repeat" to select repeat function. Press once to select a track repeat; Press twice to select folder or dir repeat; Press third to select repeat all disc; Press four close.

Repeat mode: repeat "OFF" → repeat "ONE" → repeat "DIR" → repeat "ALL".

6. Repeat segment

Press "A-B" button on the remote controller to select expected playing segment, the default is off.

Press once, the repeat begin from A

Press twice, the repeat end from B

Press third, close the repeat function.

7. Screen display playing status

When playing or stop, press "display" button on the remote controller to show current track playing time.

USB/SD/MMC CARD PALY

Insert the USB or SD/MMC card to the USB socket or SD/MMC socket, press “USB/CARD” button on the remote controller, the unit will read the information on the USB or SD/MMC card. The next steps as operation DVD.

SPECIFICATIONS

Compatibility:
DISC DVD/VCD/MP3
USB port
SD card slot
System: PAL/NTSC
Screen size: 10.1 inch
Frequency response: 100Hz~20KHz
Video Output: 1VP-P(750HM)
Audio Output: 1000mVRms
Power: 0.8Wx2
DC power supply: 12V 2A
Work temperature: 5°C~35°C

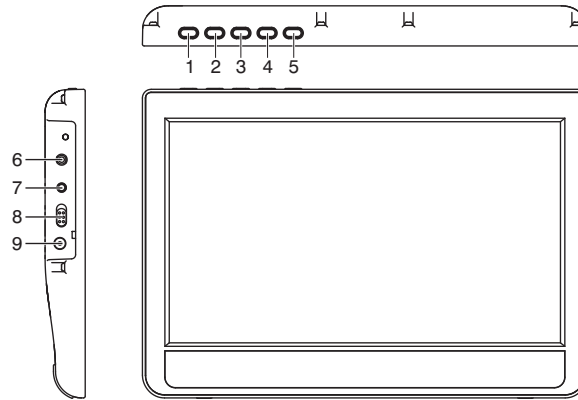
Lithium Battery: 7.4V/2800mAh
Dimensions (approx): 255x 175 x 41 mm
(W) x (H) x (D)
weight (approx) : 970g

Accessory: instruction manual,
remote controller, AV cord, power adaptor,
car kit plug.

●Specifications subject to change without notice.

DISPLAY DESCRIPTION

THE FUNCTION PARTS OF THE UNIT



1. VOL-/LEFT button
2. VOL+/RIGHT button
3. MEUN button
4. UP button
5. DOWN button

6. Headphone's output jack
7. AV input jack
8. Power ON / OFF switch
9. DC IN 12V adaptor jack

Power connection

Use the AC / DC adaptor (AC ~ 100V-240V 50 / 60Hz) or the car adaptor (DC 12V) to connect the display to DC12V socket.

Headphones connection

On the right side of the unit is a headphones socket, suitable for any normal earphones. When the headphones are in use, the speakers are turned off.

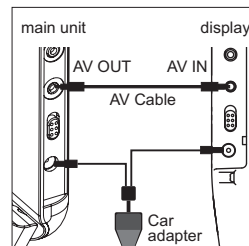
CAUTION: Too high volume, especially when using headphones, can damage your hearing. For this reason, please turn the volume down before connecting the headphones.

AV input connection

Suitable for normal AV cable to connect the display to other units.

How to connect with the main unit

AV IN jack via AV cable to connect with the main unit AV OUT jack.



KEY FUNCTIONS

Volume

Press the VOL+ or VOL- keys to increase or decrease the volume.

SETUP

Press the MENU key into system settings.

- BRIGHTNESS
- CONTRAST
- COLOR

- TFT MODE
STANDARD
BRIGHT
SOFT

LEFT/RIGHT or UP/DOWN

Press the MENU key to select a option
Press the LEFT/RIGHT or UP/DOWN keys to increase or decrease the setup

SPECIFICATIONS

GENERAL

Power source :AC ~ 100V-240V 50 / 60Hz
DC 12V 2A

Power consumption: 10W

External dimensions: 255 x 177 x 23mm
(W) x (H) x (D)

Screen size: 10.1 inches

Weight: 485g

Operating temperature 5°C to 35°C (41°F to 95°F)

Operating humidity 5% to 90%

AUDIO:

Power: 0.8w x 2

Frequency response: 100Hz - 20kHz

INPUT

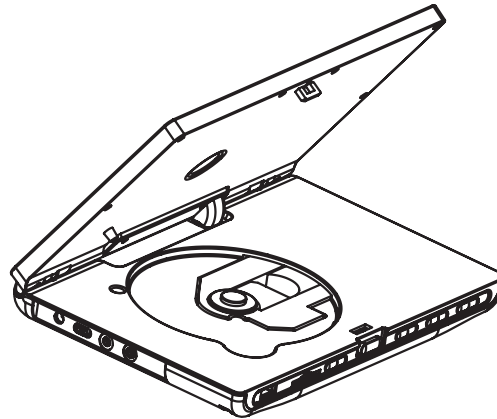
Composite video 1.0V P-P 75ohm negative sync

Audio input 0.5Vrms

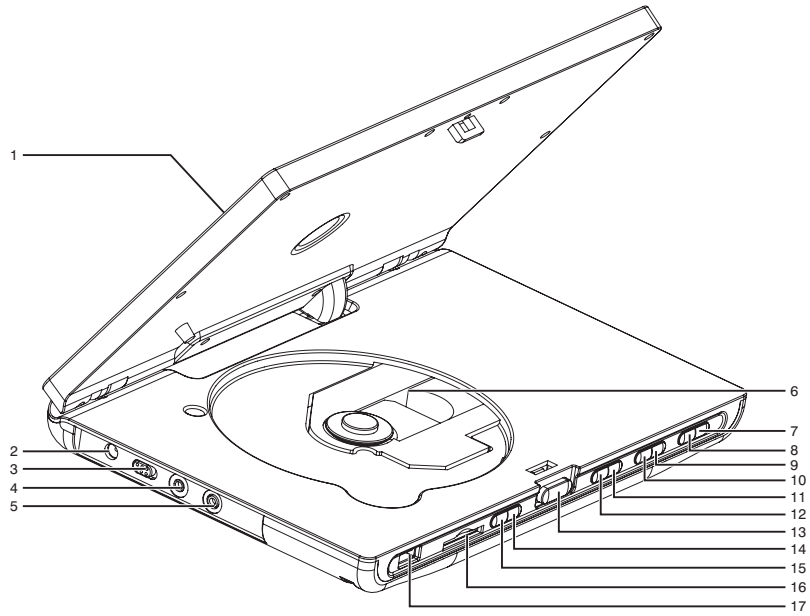
MARQUANT[®]

MCDKIT-16

GUIDE D'UTILISATION



SYSTEME DVD PORTABLE

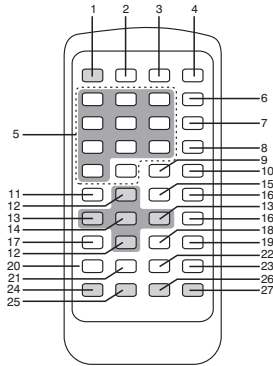


FR-01

LES ELEMENTS OPERATIONNELS DE L'APPAREIL

1. Ecran TFT
2. Prise entrée DC
3. Bouton sélecteur d'alimentation
MARCHE / ARRET (ON / OFF)
4. Prise de sortie AV
5. Prise d'écouteur
6. Couvercle du compartiment CD / VCD / DVD
7. Bouton d'INSTALLATION
8. Bouton USB / SD
9. ← Bouton Volume -
10. → Bouton Volume +
11. Bouton Haut / Précédent de la chanson :
Dans l'interface du menu, appuyez sur la touche pour monter d'un choix, puis appuyez sur la touche "ENTRER" pour saisir la localisation en cours. Sur l'interface de lecture du CD / VCD / DVD, appuyez sur la touche pour saisir la chanson précédente
12. Bouton Bas / Suivant
Appuyez sur la touche de l'interface du menu pour abaisser le choix, puis appuyez sur la touche "ENTRER" pour saisir la localisation en cours. Sur l'interface de lecture du CD / VCD / DVD, appuyez sur la touche pour saisir la chanson suivante.
13. Bouton OUVRI
14. Bouton d'ARRET
15. Bouton LECTURE / PAUSE / ENTRER
16. Encoche de la carte SD / MMC
17. Prise USB

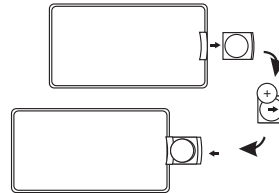
TELECOMMANDE



- | | |
|------------------------------|----------------------------|
| 1. Touche TFT MARCHÉ / ARRÊT | 15. Touche ZOOM |
| 2. Touche CARTE / USB | 16. Touche VOL- / + |
| 3. Touche AFFICHAGE | 17. Touche AUDIO |
| 4. Touche MUET | 18. Touche SOUSTITRE |
| 5. Touche Numérique | 19. Touche LECTURE / PAUSE |
| 6. Touche REPETITION | 20. ◀ touche |
| 7. Touche A-B | 21. ▶ touche |
| 8. Touche ALLER | 22. ◀◀ touche |
| 9. Touche TITRE | 23. ▶▶ touche |
| 10. Touche d'ARRÊT | 24. Touche ANGLE |
| 11. Touche INSTALLATION | 25. Touche P / N |
| 12. Touche ▲ / ▼ | 26. Touche PROG. |
| 13. Touche ◀ / ▶ | 27. Touche Menu / PBC |
| 14. Touche OK | |

ATTENTION:

- Lors de l'utilisation de la télécommande, veillez à ce qu'elle soit dirigée directement vers le récepteur de l'appareil, et évitez de l'utiliser à un angle supérieur à 45° et de plus de 5m de distance, l'indicateur n'affichant aucune barre.
- Lorsque la télécommande n'est pas utilisée, changez la pile tel indiqué sur l'image de droite.
- Si la pile n'est pas utilisée pendant une longue durée, retirez la.



INSTRUCTION DES TOUCHES DE LA TELECOMMANDE

1. **TFT MARCHÉ / ARRÊT (ON / OFF)** Touche de Marche / Arrêt affichage de l'écran TFT.
2. **USB / CARTE** : Appuyez sur cette touche pour choisir parmi DISQUE, CARTE et USB.
3. **Bouton Affichage** : Affiche les informations de la chanson en cours.
4. **Muet** : Bouton discrétion.
5. **Touche Numérique**, appuyez sur un chiffre pour la lecture du titre souhaité.
6. **Bouton Répéter** :
Vous modifiez le mode de répétition à chaque fois que vous appuyez sur le bouton REPETER. Pendant la lecture d'un MP4 / VCD / CD, vous disposez de trois modes : Répéter une fois, Répéter tout et Désactivé. Pendant la lecture d'un DVD, vous disposez de quatre modes : Répéter Chapitre, Répéter Titre, Répéter tout et Désactivé. Remarque : Pendant la lecture d'un VCD, le mode PCB doit être désactivé.
7. **Bouton A-B** :
Répétez la lecture entre les points A-B pour tous les disques.
 - 1) Appuyez sur le bouton "A-B" une fois pour déterminer le point du début de la lecture répétée. ("Rep A-" apparaît sur l'écran TFT.)
 - 2) Appuyez sur le bouton "A-B" une nouvelle fois pour déterminer le point d'arrêt de la lecture répétée. ("Rep A-B" apparaît sur l'écran TFT)
 - 3) Appuyez à nouveau sur le bouton "A-B" pour annuler. (L'annulation d'A-B s'affiche à l'écran TV)
8. **Touche ALLER À**
Appuyez sur cette touche pour configurer le début de lecture. Appuyez sur la touche, l'écran affichera les informations de lecture, appuyez sur la touche de gauche ou de droite pour déplacer la surbrillance sur le morceau de votre choix, puis appuyez sur les touches numériques pour configurer la valeur.
9. **Bouton Titre** : Appuyez sur ce bouton pour afficher le titre lu du disque.
10. **Bouton Arrêt** : Arrête la lecture.
11. **Bouton Réglage** : Accède à l'interface de réglage du DVD.
12. **Boutons Haut / Bas** : Appuyez sur ces boutons pour déplacer l'option vers le haut / bas, puis appuyez sur le bouton "OK" pour valider l'emplacement en cours.
13. **Boutons Gauche / Droite** : Appuyez sur ces boutons pour déplacer l'option vers la gauche / droite, puis appuyez sur le bouton "OK" pour valider l'emplacement en cours.
14. **Bouton OK** : Appuyez pour accéder à une fonction du menu ou confirmer et exécuter une sélection.
15. **Touche ZOOM** Appuyez sur cette touche successivement pour faire un Zoom 2, Zoom 3, Zoom 4, Zoom 1 / 2, Zoom 1 / 3, Zoom 1 / 4, Zoom : arrêt.

16. Vol- / + : Diminue / Augmente le volume.
17. Touche audio : Mode CD / VCD, accédez au menu de réglage Audio, appuyez successivement sur cette touche pour choisir l'audio stéréo gauche, droite.
18. Bouton Sous-titre : Lors de la lecture d'un DVD, la fonction du bouton change selon le titre. (Un DVD a plus de 32 langues).
19. Bouton Lecture / Pause : Bascule entre Lecture et Pause.
20. ◀◀ touche
Touche de recherche rapide en arrière
21. ▶▶ touche
Touche de recherche rapide en avant
22. ◀◀ Touche, touche de saut de plage précédente
23. ▶▶ Touche, touche de saut de plage suivante
24. Touche d'angle
Quand vous regardez un DVD de match, de comédie musicale, de pièce de théâtre en appuyant sur cette touche vous pouvez choisir divers angles pour en visualiser les détails.
25. Touche P / N
Basculer entre les modes PAL et NTSC
26. Bouton PROG : Appuyez sur le bouton PROG et entrez les pistes souhaitées dans l'ordre en réglant la lecture programmée.
Appuyez sur ce bouton pour accéder à l'interface de lecture programmée comme indiqué ci-dessous :

Lors de la lecture d'un DVD:

T	C	T	C	T	C	T	C
1	---	5	---	9	---	13	---
2	---	6	---	10	---	14	---
3	---	7	---	11	---	15	---
4	---	8	---	12	---	16	---
PROGRAMME				LECTURE		EFFACER	

"T" indique le Titre, "C" indique le Chapitre

Lors de la lecture de CD / VCD:

1	---	5	---	9	---	13	---
2	---	6	---	10	---	14	---
3	---	7	---	11	---	15	---
4	---	8	---	12	---	16	---
PROGRAMME				LECTURE		EFFACER	

Appuyez sur les boutons Haut / Bas et Gauche / Droite pour déplacer la barre éclairée à l'endroit souhaité, puis appuyez sur un bouton numéroté pour régler le titre et le chapitre souhaités. Déplacez la barre éclairée pour "lire" à la fin du réglage de la lecture programmée. Appuyez ensuite sur le bouton OK. L'appareil lira le DISQUE DVD dans l'ordre que vous venez de programmer. Pour annuler la lecture programmée, déplacez la barre éclairée sur "Effacer", puis appuyez sur le bouton OK.
Conseil : Lorsque vous lisez un DVD, vous devez saisir le titre et le chapitre, et lorsque vous lisez un MP3 / MP4 / CD / VCD, vous devez simplement saisir le chapitre.

27. Menu / PBC :
Lors de la lecture d'un CD / VCD, ouvrez ou fermez la fonction PBC.
Lors de la lecture d'un DVD, accédez au menu de lecture des chansons.

FONCTIONNEMENT GENERAL

1. Branchez une extrémité du câble principal à la prise ENTRÉE CC et l'autre extrémité à une prise CA, le témoin lumineux sera rouge.
2. Appuyez sur le bouton d'ouverture du compartiment CD / VCD / DVD pour ouvrir le couvercle du compartiment et placez le DISQUE.
3. Mettez le bouton MARCHÉ / ARRÊT sur MARCHÉ, le témoin lumineux sera vert et l'appareil lira automatiquement le DISQUE.
4. Appuyez sur le bouton Lecture / Pause pour mettre la lecture en pause et appuyez deux fois pour reprendre la lecture.
5. Appuyez sur le bouton Arrêt pour arrêter la lecture.
6. Appuyez sur le bouton d'alimentation pour éteindre l'appareil.

LECTURE D'UN DVD

1. Allumez l'appareil, insérez le disque et fermez le couvercle, l'appareil démarrera automatiquement la lecture.
(Si une mauvaise touche est activée, "TOUCHE INVALIDE" s'affichera à l'écran.)
2. Recherche Titre / Chapitre
 - (1) Certains disques auront plusieurs titres et chacun contiendra plusieurs chapitres. En mode lecture, appuyez sur le bouton Titre de la télécommande et l'écran indiquera le titre.
 - (2) Appuyez sur les boutons Haut / Bas et Gauche / Droit pour sélectionner le titre souhaité, puis appuyez sur le bouton "OK" pour lire.
 - (3) Sélectionnez le chapitre des pistes à lire à l'aide des boutons numérotés "0-9" et "10+" (le numéro saisi doit être inférieur à celui de tous les chapitres), puis appuyez sur "ENTRER" pour lire.
3. Précédent et Suivant
Pendant la lecture, appuyez sur les boutons "◀" ou "▶" de la télécommande. A chaque fois que vous appuyez sur un de ces boutons, vous sautez un chapitre à lire.
Appuyez sur "◀" pour lire à partir du chapitre suivant et sur "▶" pour lire à partir du chapitre précédent.
4. Avance rapide et retour rapide
 - (1) Appuyez sur les boutons "▶▶" ou "◀◀" pour activer les fonctions d'avance rapide ou de retour rapide.
 - (2) Lorsque vous appuyez sur le bouton "▶▶", l'avance rapide change de vitesses : X2, X4, X8, X20 et lecture normale.

- (3) Lorsque vous appuyez sur le bouton "◀", le retour rapide change de vitesses : X2, X4, X8, X20 et lecture normale.
5. Mettre la lecture d'un disque en pause
- (1) Appuyez sur le bouton "⏸" pour mettre le disque en pause.
- (2) Appuyez à nouveau sur le bouton "▶" pour redémarrer la lecture.
6. Arrêter la lecture
- (1) Appuyez une fois sur le bouton "■" et la lecture s'arrête. Appuyez à nouveau sur ce bouton pour arrêter toutes les lectures sans le dernier enregistrement.
- (2) Appuyez sur le bouton "▶" pour reprendre la lecture au moment où elle s'est arrêtée.
7. Changer le sous-titre
- Cette fonction n'est disponible que lorsque deux langues de sous-titres au minimum sont enregistrées sur le disque.
- Appuyez sur la touche "SOUS-TITRE" de la télécommande pendant la lecture pour modifier les langues sous-titrées disponibles. Le changement de la langue sous-titrée parmi les langues supportées par le DISQUE est effectué en appuyant successivement sur la touche.

- Certains disques proposent pour la plupart des 32 langues. Veuillez consulter les indications sur le sous-titre inscrites sur le disque, le numéro indique le nombre de langues enregistrées.
8. Fonction Répéter
- Appuyez sur le bouton "REPETER" de la télécommande pour répéter la lecture. Appuyez une première fois pour indiquer le mode de répétition en cours et sélectionnez le mode de répétition en appuyant plusieurs fois sur le bouton. Le mode de répétition est inscrit dans un cercle comme indiqué ci-dessous : Répéter le chapitre → répéter le titre → Tout répéter → arrêt de la répétition.
9. Répéter un segment
- Appuyez sur le bouton "A-B" de la télécommande pour sélectionner Le segment que vous souhaitez lire. La valeur par défaut est désactivée.
- Appuyez une fois pour commencer le segment à répéter à partir du point A et deux fois pour terminer le segment à répéter au point B. Appuyez une troisième fois pour arrêter la fonction de répétition.

10. Etat de l'écran d'affichage en mode lecture
En mode lecture, appuyez sur le bouton "AFFICHAGE" de la télécommande, l'écran

indique l'état de la lecture : durée de lecture du titre, temps restant du titre à lire, durée de lecture du chapitre et temps restant du chapitre à lire.

REGLAGE DES FONCTIONS DU MENU DU DVD

Appuyez sur le bouton "REGLAGE" de la télécommande ou de l'appareil, l'écran indiquera le menu de réglage. Appuyez sur une touche directionnelle (Boutons Haut / Bas / Gauche / Droit) pour déplacer la barre éclairée et régler les fonctions. Appuyez sur les boutons OK pour confirmer et "REGLAGE" pour quitter l'interface de réglage.

1. Configuration du système

- (1) Système de Télévision
 - NTSC
 - PAL
- (2) Ecran de veille
 - MARCHE
 - ARRET
- (3) Type de Télévision
 - 4 :3 PS
 - 4 :3 LB
 - 16 :9
- (4) Mot de passe

- (5) Classification
 - TOUS PUBLICS JEUNES
 - Tous publics
 - Contrôle parental
 - Déconseillé au moins de 13 ans
 - Autorisé à tous publics avec accord parental
 - Interdit au moins de 18 ans
 - Déconseillé au moins de 17 ans
 - ADULTE

- (6) Par défaut
 - RESTAURER

2. Configurations des langues

- (1) Langues OSD
 - ANGLAIS
 - FRANCAIS
 - ALLEMAND
 - HOLLANDAIS
- (2) Langue audio
 - ANGLAIS
 - FRANCAIS
 - ALLEMAND
 - HOLLANDAIS

- (3) Langue sous-titrée
 - ANGLAIS
 - FRANCAIS
 - ALLEMAND
 - HOLLANDAIS
- (4) Menu des langues
 - ANGLAIS
 - FRANCAIS
 - ALLEMAND
 - HOLLANDAIS
- 3. Configuration vidéo
 - (1) Luminosité
 - 12
 - 10
 - 8
 - 6
 - 4
 - 2
 - 0
 - (2) Contrast
 - 12
 - 10
 - 8
 - 6
 - 4
 - 2
 - 0
 - (3) Teinte
 - +6
 - +4
 - +2
 - 0

- 2
- 4
- 6
- (4) Saturation
 - 12
 - 10
 - 8
 - 6
 - 4
 - 2
 - 0
- (5) Netteté
 - 8
 - 6
 - 4
 - 2
 - 0
- 4. Configuration numérique
 - (1) Mode de sortie
 - Signal compressé
 - Compression
 - (2) Taux de compression
 - Total
 - 6 / 8
 - 4 / 8
 - 2 / 8
 - Nul
 - (3) MONO DUO
 - Stéréo
 - MONO G
 - MONO D
 - MONO MIXTE

LECTURE CD / VCD

Le mode de lecture s'adapte au type de disque dès sa sélection.

1. Lecture du Titre VCD / Chapitre (Le disque doit avoir une fonction PCB qui doit être activée)
Appuyez sur la touche "Menu / PCB" pendant la lecture pour afficher le titre sur l'écran. Appuyez sur la touche numérique de "0 à 9" et "10 + " pour choisir le chapitre désiré (le numéro saisi doit être inférieur à la quantité totale des chapitres).
2. Sélectionner un numéro pendant la lecture du CD
Appuyez sur les boutons numérotés "0~9" ou "10+" de la télécommande pour sélectionner une chanson en fonction du numéro de la piste (si le numéro de la piste est supérieur à la gamme du disque, l'entrée ne sera pas valide).
P. ex. : Pour sélectionner la douzième piste, appuyez tout d'abord sur "10+", puis sur "2".
3. Précédent et Suivant
Pendant la lecture, appuyez sur les boutons "◀◀" ou "▶▶" de la télécommande. A chaque fois que vous appuyez sur un de ces boutons, vous sautez un chapitre à lire.
Appuyez sur "◀◀" pour lire à partir du chapitre

suivant et sur "▶▶" pour lire à partir du chapitre précédent.

4. Avance rapide et Retour rapide(1) Appuyez sur les boutons "▶▶" ou "◀◀" pour activer les fonctions d'avance rapide ou de retour rapide.
(2) Lorsque vous appuyez sur le bouton "▶▶", l'avance rapide change de vitesses : X2, X4, X8, X20 et lecture normale.
(3) Lorsque vous appuyez sur le bouton "◀◀", le retour rapide change de vitesses : X2, X4, X8, X20et lecture normale.
5. Mettre la lecture d'un disque en pause
(1) Appuyez sur le bouton "⏸" pour mettre le disque en pause.
(2) Appuyez à nouveau sur le bouton "▶▶" pour reprendre la lecture.
6. Arrêter la lecture
(1) Appuyez une fois sur le bouton "■", et la lecture s'arrête. Appuyez à nouveau sur ce bouton pour arrêter toutes les lectures sans le dernier enregistrement.
(2) Appuyez sur le bouton "▶▶" pour reprendre la lecture au moment où elle s'est arrêtée.
7. Fonction de répétition
Appuyez sur la touche "RÉPÉTER" de la télécommande pour répéter la lecture.

Appuyez une fois pour afficher le mode actuel de répétition, sélectionnez le mode de répétition en fonction du nombre de pressions, le mode de répétition se déroule selon le cycle suivant : Une répétition → répéter DIR (Répertoire) → Tout répéter → arrêt de la répétition.

8. Répéter un segment

Appuyez sur le bouton "A-B" de la télécommande pour sélectionner le segment que vous souhaitez lire. La valeur par défaut est désactivée.

Appuyez une fois pour commencer le segment à répéter à partir du point A et deux fois pour terminer le segment à répéter au point B.

Appuyez une troisième fois pour arrêter la fonction de répétition.

9. Affichage à l'écran du statut de lecture
Pendant la lecture, en appuyant sur la touche "AFFICHER" de la télécommande, Le statut de lecture s'affichera à l'écran : Piste, durée de lecture du chapitre, durée restante du chapitre.

10. Modifiez la sortie d'audio

Appuyez sur la touche "Audio" pendant la lecture, les modes audio changeront successivement chaque fois que la touche est activée. Basculer entre : Gauche, Droite, Stéréo

LECTURE JPEG

Un disque JPEG est conçu à partir de nombreuses listes. Chaque liste contient de nombreuses images JPEG.

Après avoir choisi un disque JPEG à lire, l'appareil le lancera automatiquement.

Appuyez sur les boutons "Haut / Bas" ou "Gauche / Droit" de la télécommande pour sélectionner une image différente.
Appuyez sur le bouton "OK" pour visionner l'image souhaitée et "Gauche" pour revenir au menu.

LECTURE MP3 / MP4

1. MP3 / MP4 est conçu à partir de nombreuses listes (dossiers).
Chaque liste contient de nombreuses pistes MP3 / Mp4.
Après avoir choisi un disque à lire, l'appareil lancera automatiquement le mode MP3 / Mp4.
Appuyez sur les boutons "Haut / Bas" pour sélectionner une page.
Appuyez sur les boutons "Haut / Bas" et "Gauche / Droit" pour sélectionner une piste.
Appuyez sur le bouton "OK" pour lire la piste sélectionnée.
Appuyez sur le bouton "Gauche" pour revenir au dossier.
2. Avance rapide et Retour rapide
 - (1) Appuyez sur les boutons "▶▶" ou "◀◀" pour activer les fonctions d'avance rapide ou de retour rapide.
 - (2) Lorsque vous appuyez sur le bouton "▶▶", l'avance rapide change de vitesses : X2, X4, X8, X16 et lecture normale.
 - (3) Lorsque vous appuyez sur le bouton "◀◀", le retour rapide change de vitesses : X2, X4, X8, X16 et lecture normale.
3. Mettre la lecture d'un disque en pause
 - (1) Appuyez sur le bouton "⏸" pour mettre le disque en pause.
 - (2) Appuyez à nouveau sur le bouton "▶▶" pour redémarrer la lecture.
4. Arrêter la lecture
 - (1) Appuyez une fois sur le bouton "■" pour arrêter la lecture. Appuyez à nouveau sur ce bouton pour arrêter toutes les lectures sans le dernier enregistrement.
- (2) Appuyez sur le bouton "▶▶" pour reprendre la lecture au moment où elle s'est arrêtée.
5. Fonction Répéter
Lorsque vous lisez un disque, appuyez sur le bouton "répéter" pour sélectionner la fonction de répétition. Appuyez une fois pour sélectionner une piste à répéter.
Appuyez une deuxième fois pour sélectionner un dossier ou un répertoire à répéter. Appuyez une troisième fois pour répéter tout le disque.
Appuyez une quatrième fois pour fermer.
Mode Répéter : répéter "DESACTIVE" → répéter "UN" → répéter "REP" → répéter "TOUT".
6. Répéter un segment
Appuyez sur le bouton "A-B" de la télécommande pour sélectionner le segment que vous souhaitez lire. La valeur par défaut est désactivée.
Appuyez une fois pour commencer le segment à répéter à partir du point A et deux fois pour terminer le segment à répéter au point B.
Appuyez une troisième fois pour arrêter la fonction de répétition.
7. Affichage du statut de lecture à l'écran
Pendant la lecture ou à l'arrêt, appuyez sur la touche "Afficher" de la télécommande pour voir la durée de lecture de la piste en cours.

LECTURE USB / CARTE SD / MMC

Insérez la clé USB ou la carte SD / MMC dans le connecteur USB ou la fente SD / MMC. Appuyez sur le bouton "USB / CARTE" de la télécommande : l'appareil lira les informations inscrites sur la clé USB ou la carte SD / MMC. Les étapes suivantes sont similaires à celles du fonctionnement DVD.

SPECIFICATIONS

Compatibilité

DISC DVD / VCD / MP3

Port USB

Emplacement de carte SD

Système : PAL / NTSC

Dimension de l'écran : 10,1 inch

Réponse de fréquence : 100Hz~20KHz

Sortie vidéo : 1VP-P(750HM)

Sortie audio : 1000m VRms

Puissance : 0.8Wx2

Alimentation CC : 12V 2A

Température opérationnelle : 5°C~35°C

Batterie Lithium : 7.4V / 2800mAh

Dimensions approximative : 255x175x41 mm
(l) x (H) x (P)

Poids approximatif : 970g

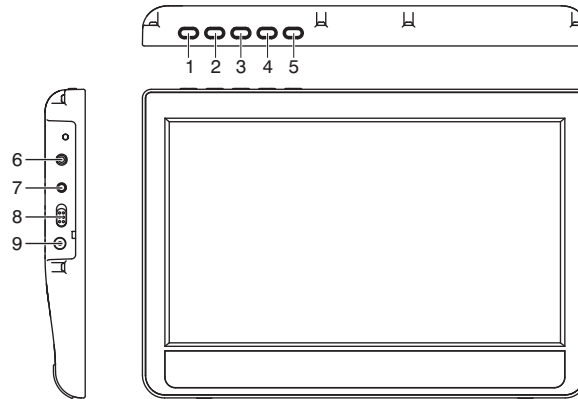
Accessoire : Guide d'utilisation

Télécommande, cordon AV, bloc d'alimentation,
kit de branchement voiture.

- Les spécifications peuvent être modifiées sans avis préalable.

DESCRIPTION DE L'ECRAN

LES ELEMENTS OPERATIONNELS DE L'APPAREIL



1. Bouton VOL- / GAUCHE
2. Bouton VOL+ / DROIT
3. Bouton MENU
4. Bouton HAUT
5. Bouton BAS
6. Prise de sortie des écouteurs
7. Prise d'entrée AV
8. Bouton de mise sous tension
MARCHE / ARRET
9. Prise adaptateur DC IN 12V

Branchement au secteur

Utilisez l'adaptateur AC / DC (AC ~ 100V-240V 50 / 60Hz) ou l'adaptateur de voiture (DC 12V) pour brancher l'écran à la prise DC12V.

Branchement des écouteurs

Une prise pour les écouteurs se trouve sur le côté droit de l'appareil, adaptée à tous les écouteurs standards. Lorsque les écouteurs sont utilisés, les enceintes sont éteintes.

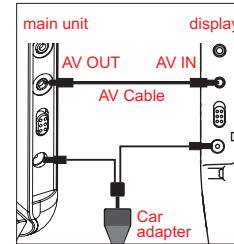
ATTENTION: Un volume trop élevé peut endommager votre audition en particulier lors de l'utilisation des écouteurs. Pour cette raison, veuillez baisser le volume avant de brancher les écouteurs.

Branchement d'entrée AV

Adapté aux cordons AV standards pour brancher l'écran à d'autres appareils.

Connexion avec l'unité principal:

Prenez le câble Audio/Video situé dans la boîte, et insérez le jack dans la prise de sortie du lecteur Principal, et la deuxième prise jack dans l'entrée de l'unité moniteur.



FONCTIONS DES TOUCHES

Volume

Appuyez sur les touches VOL+ ou VOL- pour augmenter ou diminuer le volume.

REGLAGE

Appuyez sur la touche MENU des configurations du système.

- LUMINOSITE
- CONTRASTE
- COULEUR

- MODE TFT
- STANDARD
- CLAIR
- FAIBLE

GAUCHE / DROITE ou HAUT / BAS

Appuyez sur la touche MENU pour choisir une option.
Appuyez sur les touches GAUCHE / DROITE ou HAUT / BAS pour augmenter ou diminuer ce paramètre de réglage

SPECIFICATIONS

INFORMATIONS GENERALES

Source d'alimentation: AC~100V-240V 50/60Hz
DC 12V 2A

Consommation: 10W

Dimensions externes 255 x 177 x 23mm
(l) x (H) x (P)

Dimension de l'écran: 10,1 pouces

Poids: 485g

Température de fonctionnement 5°C à 35°C
(41°F à 95°F)

Humidité opérationnelle 5% à 90%

AUDIO :

Puissance : 0,8w x 2

Réponse de fréquence : 100Hz - 20kHz

ENTREE

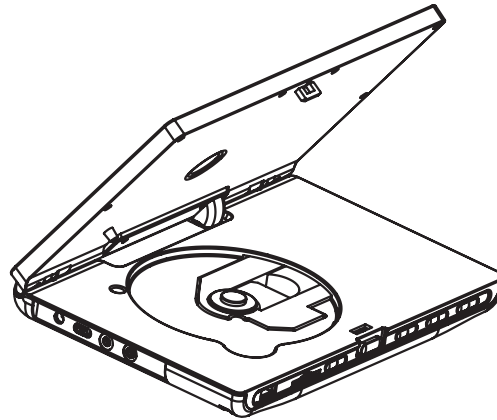
Vidéo composite 1,0V P-P 75ohm synchronisation négative

Entrée audio 0,5Vrms

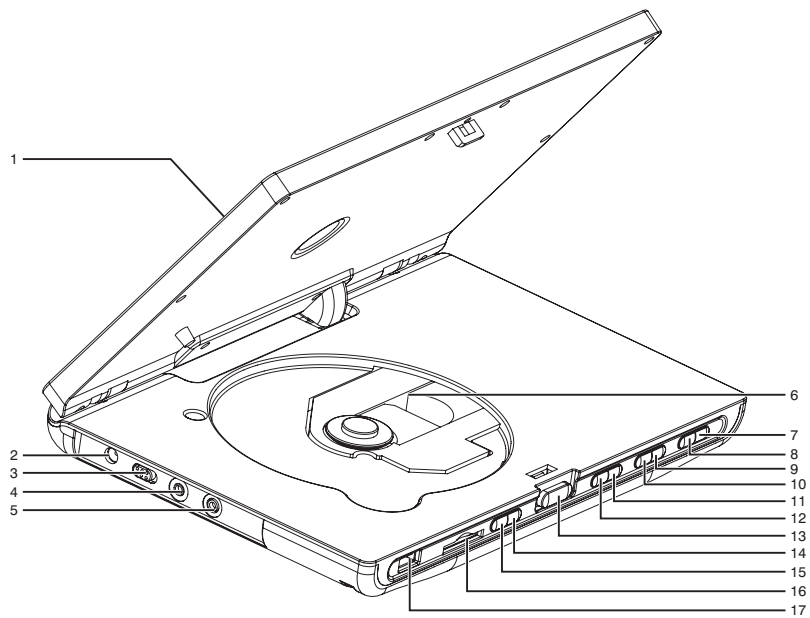
MARQUANT[®]

MCDKIT-16

GEBRUIKSAANWIJZING



DRAAGBARE DVD-SYSTEEM

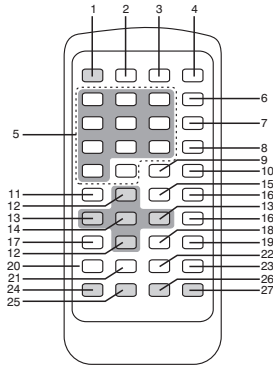


NL-01

BEDIENINGSELEMENTEN VAN HET TOESTEL

1. TFT-scherm
2. DC-IN-aansluiting
3. Voeding Aan/Uit-schakelaar.
4. AV-uitgangsaansluiting
5. Oortelefoonaansluiting
6. CD/VCD/DVD-compartimentklep
7. SETUP-toets
8. USB/SD-toets
9. “ ← Volume- ” -toets
10. “ VOLUME+ / → ” -toets
11. Omhoog/Vorige nummer-toets:
Druk in de menu-interface op de toets om de selectie omhoog te verplaatsen en druk vervolgens op de "ENTER"-toets om de huidige locatie te openen.
Druk in de CD/VCD/DVD-afspeelmodus op de toets om het vorige nummer af te spelen.
12. Omlaag/Volgende-toets
Druk in de menu-interface op de toets om de selectie omlaag te verplaatsen en druk vervolgens op de "ENTER"-toets om de huidige locatie te openen.
Druk in de CD/VCD/DVD-afspeelmodus op de toets om het volgende nummer af te spelen.
13. OPEN-schakelaar
14. STOP-toets
15. AFSPELEN/PAUZE/ENTER-toets
16. SD/MMC-kaartslot
17. USB-aansluiting

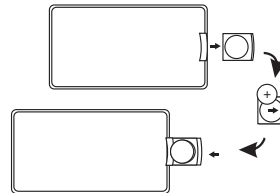
AFSTANDSBEDIENING



- | | |
|----------------------------|--------------------------|
| 1. TFT AAN/UIT-toets | 15. ZOOM-toets |
| 2. USB/KAART-toets | 16. "VOL-/+"-toets |
| 3. DISPLAY-toets | 17. AUDIO-toets |
| 4. GELUID UIT-toets (Mute) | 18. ONDERTITELING-toets |
| 5. Numerieke toets | 19. AFSPELEN/PAUZE-toets |
| 6. HERHAAL-toets | 20. ◀-toets |
| 7. A-B-toets | 21. ▶-toets |
| 8. GA NAAR-toets | 22. ◀◀-toets |
| 9. TITEL-toets | 23. ▶▶-toets |
| 10. STOP-toets | 24. HOEK-toets |
| 11. SETUP-toets | 25. P/N-toets |
| 12. ▲/▼-toets | 26. PROG-toets. |
| 13. ◀/▶-toets | 27. Menu/PBC-toets |
| 14. OK-toets | |

VOORZICHTIG

1. Bij gebruik van de afstandsbediening, zorg ervoor de afstandsbediening rechtstreeks op de IR-sensor van het toestel te richten, en vermijd het gebruik bij een hoek groter dan 45 °c en een afstand groter dan 5 m.
2. Als de afstandsbediening niet werkt, vervang de batterij zoals in de afbeelding rechts.
3. Als de afstandsbediening voor een lange tijd niet wordt gebruikt, haal de batterij eruit.



TOETSINSTRUCTIES VAN DE AFSTANDSBEDIENING

1. TFT AAN/UIT: schakelt het TFT-scherm aan/uit.
2. USB/KAART: druk op deze toets om tussen DISC, KAART en USB te kiezen.
3. Schermtoets: geeft de informatie van het huidige nummer weer.
4. Dempen: regulaar voor het dempen
5. Numerieke toetsen: druk een willekeurig nummer in om direct het gewenste nummer af te spelen.
6. Herhaaltoets:
Iedere druk op de Herhaaltoets wijzigt de herhaalstand. Bij het afspelen van MP4/VCD/ CD zijn er drie standen: Herhaal enkel, Herhaal alles en uit. Bij het afspelen van DVD zijn er vier standen: Herhaal Hoofdstuk, Herhaal Titel, Herhaal alles en uit.
Opmerking: bij het afspelen van VCD dient de PBC-stand uit gezet te worden.
7. A-B toets:
Herhaalt tussen punt A en B voor alle soorten discs.
 - 1) Druk eenmaal de "A-B" toets op het punt waar het herhalen gestart dient te worden. (Er verschijnt: "Rep A-" op het TFT-scherm.)
 - 2) Druk opnieuw de "A-B" toets op het punt waar het herhalen dient te stoppen. (Er verschijnt: "Rep A-B" op het TFT-scherm)
 - 3) Druk opnieuw op de "A-B" toets om het herhalen te annuleren. (A-B annuleren verschijnt op het TV-scherm.)
8. GA NAAR-toets:
Druk op deze toets om de startpositie van afspelen in te stellen. Druk op de toets en het scherm zal de afspeelinformatie weergeven. Druk op de links- of rechts-toets om de markering te verplaatsen om het gewenste item te selecteren en druk vervolgens op de numerieke toetsen om de waarde in te stellen.
9. Titelttoets: druk deze toets om de verstreken speeltijd van de disc-titel weer te geven.
10. Stoptoets: stop het afspelen.
11. Instellingentoets: ga naar de instellingeninterface voor DVD.
12. Omhoog-/omlaagtoets: druk de toets to om de cursor omhoog/omlaag te bewegen. Druk dan de "OK"-toets om de huidige keuze te bevestigen.
13. Links/rechtstoets: druk de toets om de cursor naar links/rechts te bewegen. Druk dan de "OK" toets om de keuze te bevestigen.
14. OK-toets: druk om naar een menuonderdeel te gaan of om een keuze te bevestigen en uit te voeren.
15. Zoom-toets: druk herhaaldelijk op deze toets om te wisselen naar Zoom 2, Zoom 3, Zoom4, Zoom ½, Zoom 1/3, Zoom1/4, Zoom: Uit.

16. Vol-/+ : verhoog/verlaag het volume.
17. Audio-toets: Open in de CD/VCD-modus het audio-instellingenmenu en druk herhaaldelijk op deze toets om "links", "rechts", "stereo audio" te selecteren.
18. Ondertiteling toets: De functie van deze toets is het wisselen van de ondertiteling bij het afspelen van DVD's.
(Een DVD disc kan tot 32 talen bevatten).
19. Afspelen/Pauzetoets: Wisselen tussen afspelen en Pauze.
20. ◀-toets:
snel achteruit zoektoets
21. ▶▶-toets:
snel vooruit zoektoets
22. ◀◀-toets: spring naar het vorige hoofdstuk
23. ▶▶-toets: spring naar het volgende hoofdstuk
24. Beeldhoek-toets
wanneer u naar een wedstrijd, musical of drama op DVD-disc kijkt, kunt u op deze toets drukken om vanuit verschillende beeldhoeken in detail te kijken.
25. P/N-toets
wissel tussen PAL- en NTSC-modus.
26. PROG toets: druk de PROG toets , voer de nummers in de gewenste volgorde in door het geprogrammeerd afspelen in te stellen. Druk deze toets om naar de programma afspelinterface te gaan, zoals:

Bij het afspelen van een DVD:

T	C	T	C	T	C	T	C
1	---	5	---	9	---	13	---
2	---	6	---	10	---	14	---
3	---	7	---	11	---	15	---
4	---	8	---	12	---	16	---
PROGRAMMA				AFSPELEN		WISSEN	

"T" betekent titel, "C" betekent hoofdstuk

Bij het afspelen van CD/VCD:

1	---	5	---	9	---	13	---
2	---	6	---	10	---	14	---
3	---	7	---	11	---	15	---
4	---	8	---	12	---	16	---
PROGRAMMA				AFSPELEN		WISSEN	

Druk de omhoog/omlaag/links/rechtstoetsen om de cursor naar het gewenste punt te bewegen en gebruik dan de nummertoeetsen om de gewenste titel en hoofdstuk in te stellen. Beweeg de cursor naar "afspelen" nadat u de instellingen van het afspeelprogramma hebt voltooid. Druk dan de OK-toets. Het apparaat speelt de DVD af in de door u geprogrammeerde volgorde. Als u het afspelen van het programma wilt annuleren, beweeg de cursor dan naar "Wissen" en druk de OK-toets.

Tip: Bij het afspelen van DVD's dient u titel en hoofdstuk in te voeren. Bij een MP3/MP4/ CD/ VCD hoeft u alleen het hoofdstuk in te voeren.

27. Menu/PBC:
Schakel PBC in of uit in de CD/VCD afspelstand.
Ga in DVD afspelstand naar het menu nummer afspelen.

ALGEMENE BEDIENING

1. Sluit de connector van de voedingsadapter aan op de aansluiting van het apparaat en steek de stekker van het netsnoer in een stopcontact. De indicatielamp zal rood oplichten.
2. Druk de toets voor het openen van het deksel van het CD/VCD/DVD-compartiment en voer een disc in.
3. Zet de AAN-/UITschakelaar in de stand "POWER ON(AAN)". De indicatielamp zal groen oplichten en het apparaat zal automatisch de disc afspelen.
4. Druk de Afspelen-/Pauzetoets om het afspelen te pauzeren. Druk de toets opnieuw om het afspelen te hervatten.
5. Druk de Stoptoets om het afspelen te stoppen.
6. Druk de aan-/uittoets om het apparaat uit te schakelen.

AFSPELEN VAN EEN DVD

1. Open het apparaat, voer een disc in en sluit het deksel. Het apparaat zal de disc automatisch afspelen.
(Druk op een ongeldige toets en het scherm zal "ONGELDIG TOETS" weergeven.)
2. Zoeken op Titel/Hoofdstuk.
 - (1) Sommige discs hebben een groot aantal titels. Ieder titel bestaat uit verschillende hoofdstukken. Druk de Titelttoets op de afstandsbediening tijdens het afspelen; het scherm geeft de titel weer.
 - (2) Druk de omhoog/omlaag/links/rechtstoetsen om de gewenste titel te selecteren en druk dan de "OK" toets om hem af te spelen.
 - (3) Kies het af te spelen hoofdstuk met de nummertoeetsen "0-9" en "10+" (het in te voeren nummer dient niet hoger te zijn dan het totaal aantal hoofdstukken) en druk dan "INVOEREN" om het af te spelen.
3. Vorige en volgende
Druk tijdens het afspelen de "◀" of "▶" toets op de afstandsbediening. Bij iedere keer drukken wordt naar een vorig/volgend hoofdstuk gesprongen.
Druk "◀" voor het afspelen van het vorige hoofdstuk.
Druk "▶" voor het afspelen van het volgende hoofdstuk.
4. Snel voor- en achteruit
 - (1) Druk de "▶" toets of de "◀" toets om snel vooruit of achteruit te spoelen.
 - (2) Iedere keer dat u "▶" drukt zal de voorwaartse snelheid wisselen, waarbij de volgende snelheden worden doorlopen: 2X voorwaartse snelheid, 4X voorwaartse snelheid, 8X voorwaartse snelheid, 20X voorwaartse snelheid en normale weergave.

(3) Iedere keer dat u "◀" drukt zal de achterwaartse snelheid wisselen, waarbij de volgende snelheden worden doorlopen: 2X achterwaartse snelheid, 4X achterwaartse snelheid, 8X achterwaartse snelheid, 20X achterwaartse snelheid en normale weergave.

5. Pauzeren van het afspelen

(1) Druk de "⏸" toets om het afspelen te pauzeren.

(2) Druk opnieuw de "⏸" toets om het afspelen te hervatten.

6. Stoppen van het afspelen

(1) Druk eenmaal de "■" toets om het afspelen te stoppen. Druk de toets opnieuw om het afspelen volledig te stoppen, onder wissen van het geheugen.

(2) Druk de "⏸" toets om het afspelen te hervatten van waar werd gestopt.

7. Wijzigen van de taal voor de ondertiteling
Deze functie is alleen beschikbaar wanneer er twee of meer talen voor de ondertiteling zijn opgenomen op de disc.

Druk tijdens het afspelen op de "ONDERTITELING"-toets op de afstandsbediening om tussen de beschikbare talen voor de ondertiteling te wisselen. Druk

herhaaldelijk op de toets, terwijl de taal van de ondertiteling verandert naar de talen die de DISC ondersteunt

Sommige discs kunnen tot 32 talen bevatten. Zie hiervoor de aanduiding voor de ondertiteling op de disc. Het aantal geeft aan hoeveel talen voor de ondertiteling zijn opgenomen.

8. Herhaalfunctie

Druk de "REPEAT" toets op de afstandsbediening om het afspelen te herhalen. Wanneer de eerste keer wordt gedrukt, wordt de huidige herhaalstand getoond. Kies de gewenste herhaalstand door meerdere keren te drukken. De herhaalstand doorloopt de volgende cyclus: herhaal hoofdstuk → herhaal titel → herhaal alles → herhalen uit.

9. Herhaal segment:

Druk de "A-B" toets op de afstandsbediening om het gewenste af te spelen segment te selecteren. Standaard is uit.

Druk de toets de eerste maal op het punt waarop het herhalen dient te beginnen.

Druk de tweede maal op het punt waar het herhalen dient te eindigen.

Een derde keer drukken sluit de herhaalfunctie af.

10. Het scherm geeft de afspelstatus weer. Druk tijdens het afspelen de "SCHERM" toets op de afstandsbediening: het scherm geeft de afspelstatus weer: speeltijd van de titel,

resterende speeltijd titel, speeltijd van het hoofdstuk en resterende speeltijd van het hoofdstuk.

INSTELLEN VAN DE DVD MENUFUNCTIE

Druk de "INSTELLINGEN" toets op de afstandsbediening orf op het apparaat. Het scherm toont het instellingenmenu. Gebruik de pijltjestoetsen (omhoog/omlaag/links/rechts) om de cursor te bewegen en de onderdelen in te stellen. Druk de OK-toets om de instellingen te bevestigen. Druk de "INSTELLINGEN" toets voor de tweede keer. U verlaat de instellingeninterface.

1. Systeeminstelling

(1) TV-systeem

NTSC

PAL

(2) Schermbeveiliging

AAN

UIT

(3) TV-type

4:3 PS

4:3 LB

16:9

(4) Wachtwoord

(5) Rating

KINDVEILIG

G

PG

Pg13

PG-R

R

NC-17

VOLWASSEN

(6) Standaard

HERSTELLEN

2. Taalinstellingen

(1) OSD-taal

ENGELS

FRANS

DUITS

NEDERLANDS

(2) Audiotaal

ENGELS

FRANS

DUITS

NEDERLANDS

- (3) Ondertitelingstaal
 - ENGELS
 - FRANS
 - DUITS
 - NEDERLANDS
- (4) Menutaal
 - ENGELS
 - FRANS
 - DUITS
 - NEDERLANDS
- 3. Video-instellingen
 - (1) Helderheid
 - 12
 - 10
 - 8
 - 6
 - 4
 - 2
 - 0
 - (2) Contrast
 - 12
 - 10
 - 8
 - 6
 - 4
 - 2
 - 0
 - (3) Tint
 - +6
 - +4
 - +2
 - 0

- 2
- 4
- 6
- (4) Verzadiging
 - 12
 - 10
 - 8
 - 6
 - 4
 - 2
 - 0
- (5) Scherpte
 - 8
 - 6
 - 4
 - 2
 - 0
- 4. Digitale instellingen
 - (1) Uitgangsmodus
 - Line out
 - RF REMOD
 - (2) DYNAMISCH BEREIK
 - Volledig
 - 6/8
 - 4/8
 - 2/8
 - Uit
 - (3) DUAL-MONO
 - Stereo
 - MONO L
 - MONO R
 - MIX-MONO

AFSPELEN VAN EEN CD/VCD

Na het selecteren van de disc, zal de afspeelmodus automatisch volgens het type van de disc verlopen.

1. VCD-titel/hoofdstuk afspelen (De disc moet over een PBC-functie beschikken en de PBC moet ingeschakeld zijn).
Druk tijdens het afspelen op de "Menu/PBC"-toets en op het scherm zal de titel verschijnen. Druk op de cijfertoets "0-9" en "10+" om het gewenste hoofdstuk te selecteren (het in te voeren nummer moet lager zijn dan het totaal aantal hoofdstukken).
2. Selecteer direct een track tijdens de afspeelmodus van een CD.
Druk de nummertoeetsen "0-9" en "10+" op de afstandsbediening om een gewenst nummer te selecteren. (het volgnummer mag niet hoger zijn dan het aantal nummers op de disc).
Bijv.: Als u het twaalfde nummer wilt selecteren, druk dan eerst "10+" en daarna "2".
3. Vorige en volgende
Druk tijdens het afspelen de "◀◀" of "▶▶" toets op de afstandsbediening. Iedere keer dat er op de toets wordt gedrukt wordt naar en vorig of volgend nummer gesprongen.
Druk "◀◀" om naar het vorige nummer te gaan. Druk "▶▶" om naar het volgende nummer te

gaan.

4. Snel voor- en achteruit
(1) Druk de "▶▶" of "◀◀" toets om snel voor- of achteruit te spoelen.
(2) Iedere keer dat u "▶▶" drukt zal de voorwaartse snelheid wisselen, waarbij de volgende snelheden worden doorlopen: 2X voorwaartse snelheid, 4X voorwaartse snelheid, 8X voorwaartse snelheid, 20X voorwaartse snelheid en normale weergave.
(3) Iedere keer dat u "◀◀" drukt zal de achterwaartse snelheid wisselen, waarbij de volgende snelheden worden doorlopen: 2X achterwaartse snelheid, 4X achterwaartse snelheid, 8X achterwaartse snelheid, 20X achterwaartse snelheid en normale weergave.
5. Pauzeren van het afspelen
(1) Druk de "⏸" toets om het afspelen te pauzeren.
(2) Druk opnieuw de "▶▶" toets om het afspelen te hervatten.
6. Stoppen van het afspelen
(1) Druk eenmaal de "■" toets om het afspelen te stoppen. Druk de toets opnieuw om al het afspelen te stoppen en het geheugen te wissen.
(2) Druk de "▶▶" toets om het afspelen te hervatten vanaf het werd gestopt.

7. Herhaalfunctie

Druk op de "HERHALEN"-toets op de afstandsbediening om het afspelen te herhalen.

Bij de eerste keer drukken, wordt de huidige herhaalmodus weergegeven. Selecteer de herhaalmodus in overeenstemming met het aantal keren indrukken. De cyclus voor de herhaalmodus is zoals hieronder: herhaal eenmalig → herhaal DIR → herhaal alles → herhalen uit.

8. Herhaal segment

Druk de "A-B" toets op de afstandsbediening om een gewenst segment te selecteren. De standaard is uit.

Druk eenmaal de "A-B" toets op het punt waar

het herhalen gestart dient te worden.

Druk opnieuw op het punt waar het herhalen dient te stoppen.

Druk een derde keer om het herhalen te annuleren

9. Schermweergave afspelerstatus

Druk tijdens het afspelen op "DISPLAY"-toets op de afstandsbediening om de afspelerstatus op het scherm weer te geven: Track, speeltijd van het hoofdstuk, resttijd van het hoofdstuk.

10. Wijzig de audio-uitgang

Druk tijdens het afspelen op de "Audio"-toets.

Elke keer dat u drukt, wordt de volgorde van de geluidsmodus gewijzigd. Wissel tussen: Links, Rechts en Stereo

WEERGEVEN VAN JPEG BESTANDEN

JPEG discs bevatten vele lijsten. Ieder lijst bevat vele JPEG afbeeldingen.

Nadat de geselecteerde disc in de speler is geplaatst, speelt hij automatisch de JPEG disc af.

Druk de toetsen "Omhoog", "Omlaag", "Links" of

"Rechts" op de afstandsbediening om de verschillende afbeeldingen te selecteren.

Druk de "OK" toets om de geselecteerde afbeeldingen weer te geven.

Druk de "links" toets om terug te keren naar het menu.

AFSPELEN VAN MP3/MP4 BESTANDEN

1. Een MP3/MP4 disc bevat vele lijsten (mappen). Iedere map bevat vele MP3/MP4 bestanden. Nadat de geselecteerde disc in de speler is geplaatst, speelt hij automatisch de MP3/MP4 disc af.
Druk de "omhoog" of "omlaag" toets om een pagina te selecteren.
Druk de "omhoog", "omlaag", "links" of "rechts" toetsen om een nummer te selecteren.
Druk "OK" om het geselecteerde nummer af te spelen.
Druk de "links" toets om naar de map terug te keren.
2. Snel voor- en achteruit
 - (1) Druk de "▶▶" of "◀◀" toets om snel voor- of achteruit te spoelen.
 - (2) Iedere keer dat u "▶▶" drukt zal de voorwaartse snelheid wisselen, waarbij de volgende snelheden worden doorlopen: 2X voorwaartse snelheid, 4X voorwaartse snelheid, 8X voorwaartse snelheid, 16X voorwaartse snelheid en normale weergave.
 - (3) Iedere keer dat u "◀◀" drukt zal de achterwaartse snelheid wisselen, waarbij de volgende snelheden worden doorlopen: 2X achterwaartse snelheid, 4X achterwaartse snelheid, 8X achterwaartse snelheid, 16X achterwaartse snelheid en normale weergave.
3. Pauzeren van het afspeLEN
 - (1) Druk de "⏸" om het afspeLEN te pauzeren.
 - (2) Druk opnieuw de "⏸" toets om het afspeLEN te hervatten.
4. Stoppen van het afspeLEN
 - (1) Druk eenmaal de "■" toets om het afspeLEN te stoppen. Druk de toets opnieuw om al het afspeLEN te stoppen en het geheugen te wissen.
 - (2) Druk de "⏸" toets om het afspeLEN te hervatten vanaf het werd gestopt.
5. Herhaalfunctie
Druk tijdens het afspeLEN op "Herhaal" om de herhaalfunctie te activeren. Druk eenmaal om een te herhalen nummer te selecteren. Druk tweemaal om een te herhalen map te selecteren. Druk driemaal om de hele disc te herhalen. Druk een vierde maal om de functie te verlaten. Herhaalstand: herhaal "UIT" → herhaal "ÉÉN" → herhaal "MAP" → herhaal "ALLES".
6. Herhaal segment
Druk de "A-B" toets op de afstandsbediening om een gewenst segment te selecteren. De standaard is uit.
Druk eenmaal de "A-B" toets op het punt waar het herhalen gestart dient te worden.
Druk opnieuw op het punt waar het herhalen dient te stoppen.
Druk een derde keer om het herhalen te annuleren.
7. Schermweergave afspEelstatus
Druk tijdens het afspeLEN of stoppen op de "Display"-toets op de afstandsbediening om de huidige trackspeeltijd weer te geven.

AFSPENEN VANAF USB/SD/MMC-KAART

Sluit het USB-apparaat aan op de USB-aansluiting of steek de SD/MMC-kaart in de SD/MMC-sleuf en druk de "USB/KAART" toets op de afstandsbediening. Het apparaat zal de informatie op het USB-apparaat of de SD/MMC-kaart lezen. Volg verder de aanwijzingen voor het afspelen van een DVD.

SPECIFICATIES

Compatibiliteit:
DISC DVD/VCD/MP3
USB-poort
SD-kaartslot
Systeem: PAL/NTSC
Schermafmeting: 10,1 inch
Frequentiebereik: 100 Hz – 20 kHz
Video-uitgang: 1VB-P(75 Ω)
Audio-uitgang: 1000 mVRms
Vermogen: 0,8 W x 2
Gelijkstroomvoeding: 12 V, 2 A
Bedrijfstemperatuur: 5 °C ~ 35 °C

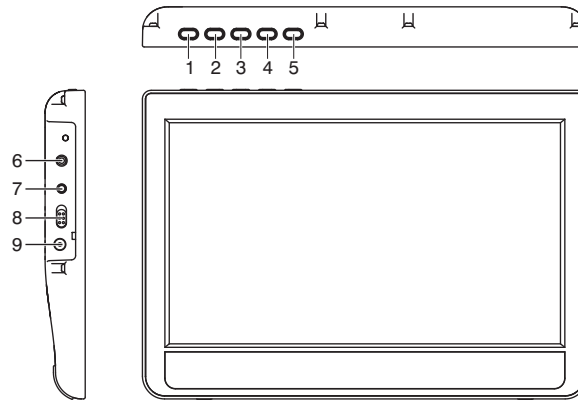
Lithiumbatterij: 7,4 V/2800 mAh
Afmetingen (ongeveer): 255 x 175 x 41 mm
(B) x (H) x (L)
gewicht (ongeveer): 970 g

Toebehoren: gebruiksaanwijzing,
afstandsbediening, AV-kabel, voeding,
carkit-stekker.

- Specificaties zijn onderhevig aan verandering zonder voorafgaande kennisgeving.

DISPLAY BESCHRIJVING

BEDIENINGSELEMENTEN VAN HET TOESTEL



1. VOL-/LINKS-toets
2. VOL+ /RECHTS-toets
3. MENU-toets
4. OMHOOG-toets

5. OMLAAG-toets
6. Hoofdtelefoonaansluiting
7. AV-ingangaansluiting
8. Voeding AAN/UIT-schakelaar
9. DC INGANG 12V adapteraansluiting

Voedingsaansluiting

Gebruik de AC/DC-adapter (AC 100 V-240 V ~ 50/60 Hz) of de autoadapter (DC 12 V) om op de DC12V-aansluiting van de display aan te sluiten.

Hoofdtelefoonaansluiting

Aan de rechterkant van het toestel is een hoofdtelefoonaansluiting aanwezig, geschikt voor elke normale hoofdtelefoon. Wanneer de hoofdtelefoon in gebruik is, worden de luidsprekers uitgeschakeld.

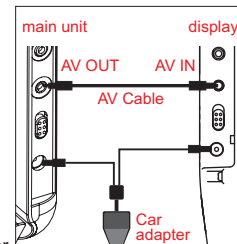
OPGELET: Een te hoge volume, vooral wanneer u een hoofdtelefoon gebruikt, kan uw gehoor beschadigen. Zet om deze reden het volume zachter voordat u de hoofdtelefoon aansluit.

AV-ingangaansluiting

Geschikt om de display met een normale AV-kabel op andere toestellen aan te sluiten

Hoe sluit u de tweede monitor aan:

Pak de Audio/Video aansluitsnoer uit de doos, en verbind één jack connector aan de A/V uitgang van de hoofd-unit en de andere jack connector aan de A/V ingang van de monitor.



TOETSFUNCTIES

Volume

Druk op de "VOL+"- of "VOL-"-toets om het volume te verhogen of verlagen.

INSTELLINGEN

Druk op de "MENU"-toets om de systeeminstellingen te openen.

- HELDERHEID
- CONTRAST
- KLEUR

- TFT-MODUS
STANDAARD
HELDER
ZACHT

LINKS/RECHTS of OMHOOG/OMLAAG

Druk op de "MENU"-toets om een optie te selecteren.

Druk op de "LINKS"/"RECHTS"- of "OMHOOG"/"OMLAAG"-toets om de instelling te verhogen of verlagen.

SPECIFICATIES

ALGEMEEN

Voedingsbron: AC ~ 100-240 V, 50/60 Hz
DC 12 V/2 A

Energieverbruik: 10 W

Buitenafmetingen: 255 x 177 x 23 mm
(B) x (H) x (L)

Schermgrootte: 10,1 inch

Gewicht: 485 g

Bedrijfstemperatuur: 5 °C tot 35 °C (41 °F tot 95 °F)

Luchtvochtigheid tijdens bedrijf: 5% tot 90%

AUDIO:

Vermogen: 0,8 W x 2

Frequentiebereik: 100 Hz – 20 kHz

INGANG

Composiet video 1,0 V P-P 75 Ω negatieve sync

Audio-ingang (analoog) 0,5 Vrms