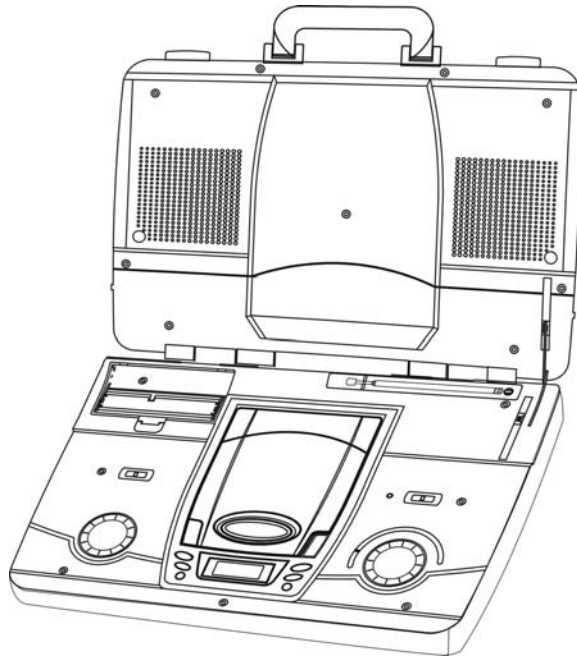


MARQUANT®



Portable CD-Karaoke Stereo Radio With Microphone
Model No: MKB-01
Instruction Manual

CE

Please read and follow this instruction manual carefully before using the unit and retain it for future reference.

CLASS 1 LASER PRODUCT

CLASS 1 LASER PRODUCT
APPAREIL À LASER DE CLASSE 1
PRODUCTO LASER DE CLASE 1

CAUTION
INVISIBLE LASER RADIATION
WHEN OPEN AND INTERLOCKS
DEFEATED.
AVOID EXPOSURE TO BEAM



This product contains a low power Laser Device.



CAUTION

**RISK OF ELECTRIC SHOCK
DO NOT OPEN**



CAUTION: TO REDUCE THE RISK OF ELECTRIC SHOCK, DO NOT REMOVE COVER (OR BACK). NO USER SERVICEABLE PARTS INSIDE. REFER SERVICING TO QUALIFIED SERVICE PERSONNEL.



DANGEROUS VOLTAGE

Uninsulated Dangerous Voltage that may be of sufficient magnitude to constitute a risk of electric shock to persons is present within this product's enclosure.



ATTENTION

The Instruction Manual contains important operating and maintenance instructions.
For your safety, it is necessary to refer to the manual.

IMPORTANT NOTES

- Avoid installing this unit in places exposed to direct sunlight or close to heat radiating appliances such as electric heaters, on top of other stereo equipment that radiates too much heat, places lacking ventilation or dusty areas, places subject to constant vibration and/or humid or moist areas.
- Do not attempt to clean this unit with chemical solvents as this might damage the finish. Use a clean dry cloth.
- Operate controls and switches as described in the manual.
- Store your CDs in a cool area to avoid damage from heat.

WARNING: TO PREVENT FIRE OR SHOCK HAZARD, DO NOT EXPOSE THIS UNIT TO RAIN OR MOISTURE.

PREPARATION FOR USE

UNPACKING AND SET-UP

- Carefully remove the unit from the carton and remove all packing material from the unit.
- We suggest that you retain the original carton and packing materials in case it ever becomes necessary to return your unit for service. This is the only sure way to protect the unit from damage in transit.
- If you do dispose of the carton and packing materials, please do so properly.

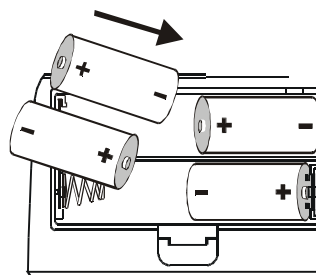
POWER SOURCE

This system is designed to operate on $\ominus \rightarrow \oplus$ DC 12V 800mA AC adaptor or 8 UM2 / "C" size batteries. Connecting this system to any other power supply could result in damage to the unit, which is not covered by your warranty.

NOTE: The configuration of the AC adaptor differs depending on the area.

BATTERY OPERATION

1. Remove the Battery Compartment Cover by pressing the hook and sliding the cover upwards.
2. Insert 8 UM2 / "C" size fresh batteries into the battery compartment. Be sure to follow the polarity (+ / -) markings inside the compartment. If the batteries are inserted incorrectly the unit will not work.
3. Close the Battery Compartment Cover.



IMPORTANT INFORMATION

- Playing CD's at higher volume levels increases the battery drain and shortens the battery life. Try to use AC adaptor whenever it is available.
- We recommend using alkaline batteries for the longest possible life.
- Change the batteries when the output of the unit becomes weak or the sound becomes distorted. Always change all eight (8) batteries at the same time.
- If the unit will be stored and not used for 30 days or more it is recommended to remove the batteries from the battery compartment to reduce the possibility of damage from battery leakage or corrosion.

BATTERY PRECAUTIONS

Follow these precautions when using batteries in this device:

1. Use only the size and type of batteries specified.
2. Be sure to follow the correct polarity when installing the batteries as indicated in the battery compartment. Reversed batteries may cause damage to the device.
3. Do not mix different types of batteries together (e.g. Alkaline and Carbon-Zinc) or old batteries with fresh ones.
4. If the device is not to be used for a long period of time, remove the batteries to prevent damage or injury from possible battery leakage.
5. Do not try to recharge batteries not intended to be recharge; they can overheat and rupture. (Follow battery manufacturer's directions.)

STEREO HEADPHONE JACK

For private listening without disturbing others, connect a set of stereo headphones (not included) to the HEADPHONE Jack. The built-in speakers automatically shut off when stereo headphones are connected to the HEADPHONE Jack. When using stereo headphones always start with the volume control set to a low level and gradually increase until you find the desired level.

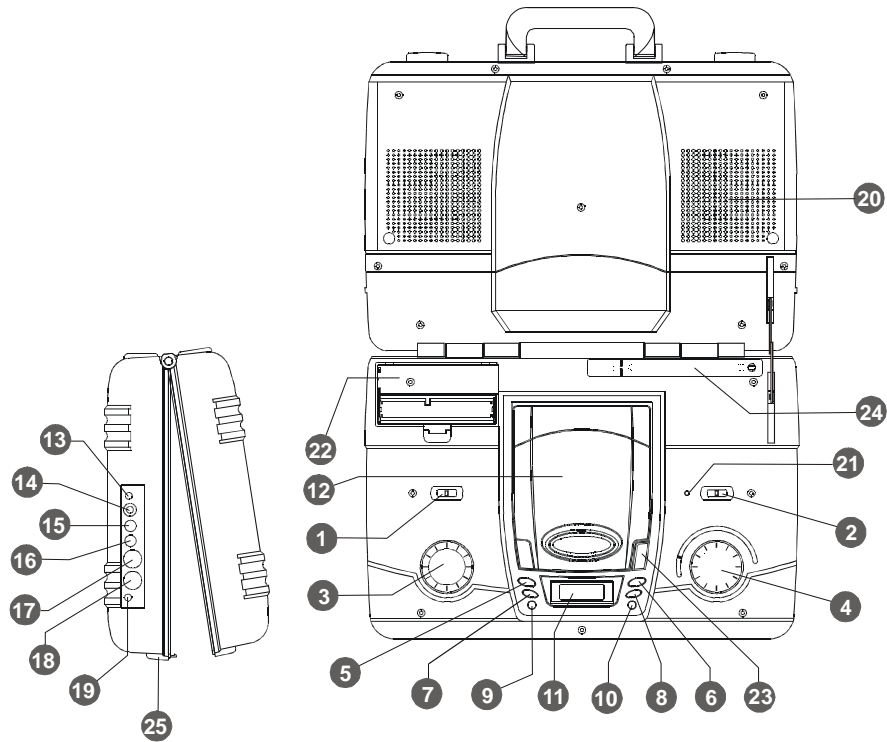
EXTERNAL MIC JACK

Plug in an external microphone , set the FUNCTION SELECTOR to 'CD' or 'AUX'. The sound is amplified by the built-in amplifier. Set the desired volume by MIC VOLUME control. Set the echo effect by ECHO VOLUME control. (external microphone is included).

NOTES:

- * Unplug microphone not in use to avoid noise.
- * In case of microphone not howling, operate as follows.
 - 1) Put the microphone away from the speakers.
 - 2) Lower the microphone volume
 - 3) Change the microphone direction so as not face the speakers.
 - 4) Reduce the echo level.

LOCATION OF CONTROLS



- | | |
|--|---|
| <ol style="list-style-type: none"> 1. FUNCTION Selector (AUX / CD / OFF / RADIO) 2. BAND Selector (FM STEREO / FM / AM) 3. VOLUME Control 4. TUNING Control 5. CD PLAY / PAUSE Button 6. CD STOP Button 7. CD Skip / Search REV Button 8. CD Skip / Search FWD Button 9. CD REPEAT Button 10. CD PROGRAM Button 11. CD LCD Display 12. CD Compartment Door | <ol style="list-style-type: none"> 13. DC Input Jack 14. PHONES Jack (Stereo Headphone) 15. AUX-Left Channel 16. AUX-Right Channel 17. ECHO Volume 18. MIC Volume 19. EXTERNAL MIC Jack 20. Speaker 21. FM STEREO LED Indicator 22. Battery Compartment 23. CD Door Open Button 24. FM Rod Antenna 25. Case Lock |
|--|---|

LISTENING TO AUXILIARY INPUT

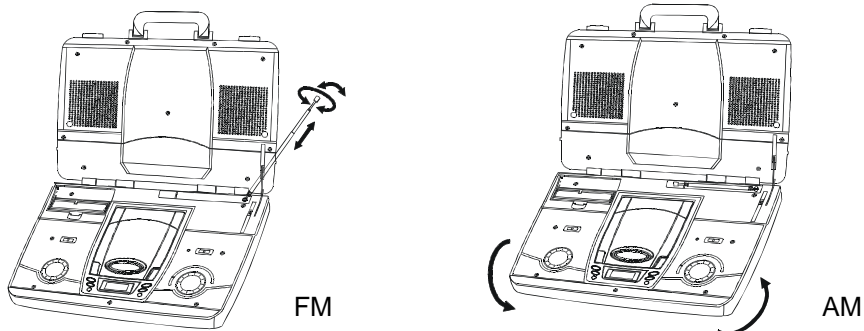
To receive audio signals from other devices, such as TV, VCR, DVD, MD player.

1. Connect one end of the RCA Plug signal wire (not included) into AUX IN socket.
2. Connect the other end of wire to your home equipment.
3. Set the FUNCTION selector to AUX position.
4. Play your home equipment.
5. Adjust the sound level by rotating the volume control.
6. Stop listening auxiliary input. Set the FUNCTION selector to the "OFF" position.

LISTENING TO RADIO

1. Extend the telescoping FM ANTENNA to its full length.
2. Set the FUNCTION selector to RADIO position.
3. Use the TUNING control to locate the desired station. If the BAND selector is set to "FM ST" and the FM station is broadcasting in stereo, the FM STEREO LED indicator will light up.
4. Use the VOLUME control to adjust the sound to the desired level.
5. When you are finished listening, set the FUNCTION selector to the "OFF" position.

Hints for Better Reception



- AM -** The AM ANTENNA is located inside the cabinet. If AM reception is weak, try turning the entire unit until the AM ANTENNA is pointing in the direction of the broadcast transmitter.
- FM -** Change the direction of the telescoping FM ANTENNA until you find the best reception.

NORMAL PLAYBACK

1. Set the FUNCTION selector to CD position.
2. Open the CD COMPARTMENT DOOR and place a CD on the center spindle with the printed label side facing up.
3. Close the CD door. The disc will spin momentarily and “ _ _ ” will appear in the display. Then the disc will stop spinning and the display will show the total tracks on the disc.
4. Press the PLAY / PAUSE **▶▶** button to begin playback. The PLAY indicator will appear in display and playback begins from track 1.
5. Adjust the volume controls as desired.
6. Playback continues until all tracks have been played, then the disc stops and the display again shows the total number of tracks on the disc. You may also stop the disc at any time by pressing the STOP **■** button.
7. Open the CD door, remove your disc from the player, and set the FUNCTION selector to the “OFF” position.

PAUSE CONTROL

The PAUSE control allows you to pause playback of a disc temporarily, and then resume playback from the same point. Press the PLAY / PAUSE **▶▶** button during playback to activate the PAUSE control. Press the PLAY / PAUSE **▶▶** button again to cancel PAUSE and resume normal playback. The PLAY indicator stops flashing.

NOTE: Remember that the disc continues to spin in the pause mode even though no sound is heard. Don't forget to release the pause mode to prevent excessive wear on the motor, and to save your batteries.

SKIP / SEARCH **▶▶** / **◀◀** BUTTONS

Press the SKIP / SEARCH **▶▶** FWD button once during playback to skip to the beginning of the next track. Continue to press this button to skip forward to choose next available tracks until you reach the desired track.

Press the SKIP / SEARCH **◀◀** REV button once during playback to skip to the beginning of the current track. Press twice to skip back to the beginning of the previous track. Continue to press this button to skip backward to choose previous available tracks until you reach the desired track.

Hold the SKIP / SEARCH **▶▶** FWD or **◀◀** REV buttons during playback to rapidly search forward or backward through the disc to locate a specific passage within a track that you wish to bypass or to hear again.

High speed search continues as long as the SKIP / SEARCH **▶▶** / **◀◀** buttons are pressed. Normal playback resumes when the SKIP / SEARCH **▶▶** / **◀◀** buttons are released.

NOTE: During high speed music search the playback volume is automatically reduced.

To begin playback of a disc on a specific track, wait until the player reads the disc and displays the total track number, the desired track number is on the display. Press the PLAY / PAUSE **▶▶** button to begin playback on that track.

REPEAT PLAYBACK

This function allows you to repeat either a single track or the entire disc continuously. To repeat a single track, select the track you wish to repeat and begin playback on that track. Then press the REPEAT button once. The **REPEAT** indicator start flashing and the selected track will be repeated continuously until

you cancel the repeat function by pressing the REPEAT button until the REPEAT indicator goes "OFF" or press the STOP ■ button twice.

To repeat the entire disc, press the REPEAT button twice. The **REPEAT** indicator will light up. Then press the PLAY / PAUSE ■ button to begin playback if necessary. The entire disc will be repeated continuously.

To cancel Repeat Playback press the REPEAT button until the **REPEAT** indicator goes "OFF". Opening the CD door or switching the FUNCTION selector to "OFF" also can cancel repeat.

PROGRAMMED PLAYBACK

You can program up to 16 tracks to play in any order you choose. To program tracks for playback the player must be in the Stop mode. If the disc is playing, press the STOP ■ button to stop playback and then proceed as follows:

1. Press the PROG button once. The "**PROGRAM**" indicator and "PR" will start flashing.
2. Use the SKIP / SEARCH ►► FWD or ◄◄ REV buttons to select the first track to be programmed.

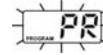


Example: Track 7.



The "**PROGRAM**" indicator keeps flashing.

3. Press the PROG button again. This will store track 7 into program memory. The "**PROGRAM**" indicator and "PR" flashing again.
4. Repeat steps 2 and 3 until you have programmed up to a maximum of 16 tracks into the program memory.
5. To begin Programmed Playback press the PLAY / PAUSE ■ button. The "**PROGRAM**" indicator stop flashing and remains on. The player will begin to play the tracks in the order that you selected.



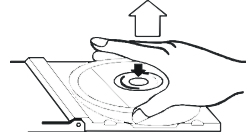
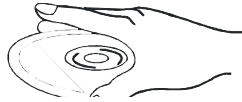
NOTES:

- Pressing the STOP ■ button during Programmed Playback will stop playback but the Programmed tracks are still in memory.
- Press PLAY / PAUSE ■ button to continue Programmed Playback.
- To cancel Programmed Playback, press the STOP ■ button while in Stop mode.
- Programmed Playback can also be canceled by opening the CD door, setting the FUNCTION selector to the "OFF" position or by disconnecting the AC POWER cord.
- When 16 tracks have been entered, the CD memory is full. If you try to select other tracks, the "**PROGRAM**" indicators continue flashing but no other track numbers appear in the display.
- To check the program order, press the PROG button once more. The display will show each track number in the order that they were programmed.

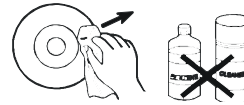
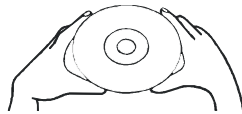
NOTE ON CD-R / RW DISCS

- Because of non-standardized format definition / production of CD-R / RW, playback quality & performance are not guaranteed.
- Do not attach a seal or label to either side (the record able side or the labeled side) of a CD-R / RW disc. It may cause malfunction.
- Do not load an un-recorded CD-R / RW disc. It will take over 30 seconds to read the disc. The disc may be damaged if you try to open the CD Door while reading the disc.

COMPACT DISC CARE



- To Remove a disc from its storage case, press down on the center of the case and lift the disc out, holding it carefully by the edges.
- Treat the disc carefully. Handle the disc only by its edges. Never allow your fingers to come in contact with the shiny, unprinted side of the disc.
- Do not attach any tape, stickers, etc. to the disc label.
- Clean the disc periodically with a soft, lint-free, dry cloth. Never use detergents or abrasive cleaners to clean the disc. If necessary, use a CD cleaning kit.
- If a disc skips or gets stuck on a section of the disc, it is probably dirty or damaged (scratched).
- When cleaning the disc, wipe in straight lines from the center of the disc to the outer edge of the disc. Never wipe in circular motions.



CAUTION:

Never allow any water or other liquids to get inside the unit while cleaning.

TROUBLESHOOTING GUIDE

Should this unit exhibit a problem, check the following before seeking service.

Symptom	Possible Cause	Solution
Radio		
Noise or sound distorted on AM or FM broadcasting.	Station not tuned properly for AM or FM.	Retune AM or FM broadcast station.
	FM: The FM Rod Antenna was not extended.	Extend FM Rod Antenna.
	AM: The built-in ferrite bar antenna was not position correctly.	Reposition the unit until best reception is obtained.
FM STEREO indicator does not light up.	BAND at FM position.	Slide BAND selector to FM STEREO position.
	You have tuned to a mono station.	Select another FM station.
	The station too weak.	Select another FM station.
AM or FM no sound.	Unit not at RADIO mode.	Slide FUNCTION selector to RADIO position.
	Volume at minimum position.	Adjust Volume level.
Compact Disc Player		
CD Player does not play.	Unit not at CD mode.	Slide FUNCTION selector to CD position.
	CD is not installed or installed incorrectly.	Load disc with unlabeled side face to the unit.
CD skips while playing.	Disc is dirty or scratched.	Wipe disc with cloth or use another disc.

SPECIFICATION

Power Source -----	UM2 / 'C' size x 8, DC 12V AC ADAPTOR 12V DC, 800mA
Unit Dimension -----	415 (W) x 307 (D) x 95 (H) mm
Tuning Range -----	AM 530 – 1600kHz FM 88 - 108MHz
Playback System -----	Top Load CD mechanism
Frequency Response -----	100 – 18,000Hz
Power Output -----	1.5 Watts RMS per channel
Speaker System -----	3 1/2" x 2 Full range
Headphone Impedance -----	8 – 32 ohms

ACCESSORIES INCLUDED:

Instruction Manual	1 set
Microphone	1 piece
AC adaptor	1 piece

Design and specification subject to change are without notice.

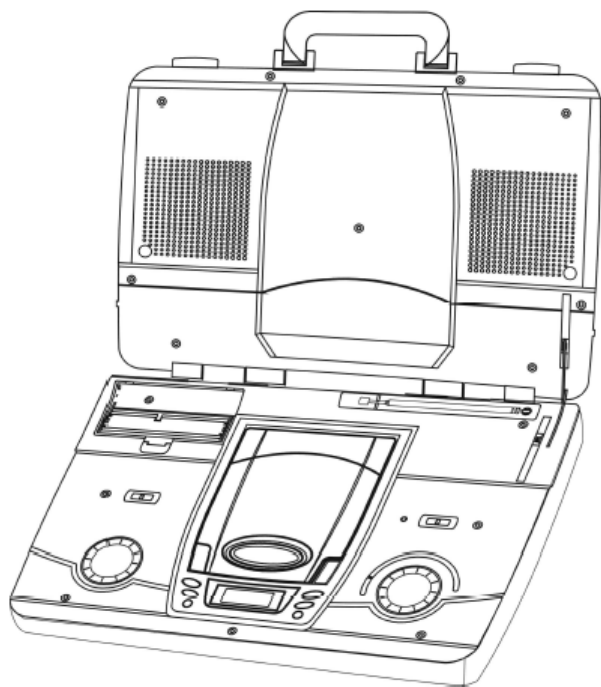
Printed in China

172-4010801N0-MQ

MARQUANT

KARAOKE RADIO MET CD

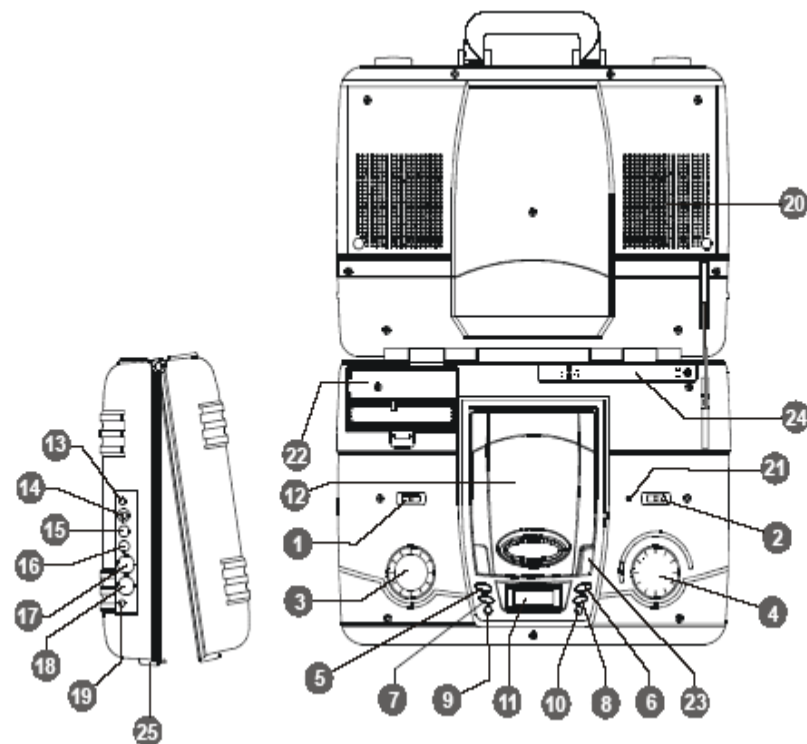
MODEL: MKB-01



GEBRUIKSAANWIJZING



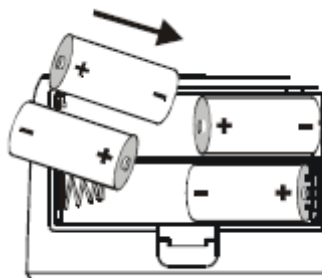
BEDIENTOETSEN



- | | | | |
|-----|-----------------------------|-----|-------------------------------|
| 1. | Functie schakelaar | 13. | DC Voeding ingang |
| 2. | Bandkeuze schakelaar | 14. | Hoofdtelefoon aansluiting |
| 3. | Volume regelaar | 15. | Aux ingang links |
| 4. | Afstem knop radio | 16. | Aux ingang rechts |
| 5. | CD Pauze/Afspeeltoets | 17. | Echo volume |
| 6. | CD Stop toets | 18. | Microfoon volume |
| 7. | CD Springtoets achterwaarts | 19. | Externe microfoon aansluiting |
| 8. | CD Springtoets voorwaarts | 20. | Luidspreker |
| 9. | CD Herhaal toets | 21. | FM Stereo aanduiding |
| 10. | Programmeer toets CD | 22. | Batterij compartiment |
| 11. | LCD Afleesvenster | 23. | Deur open CD compartiment |
| 12. | CD Compartment | 24. | FM Antenne |
| | | 25. | Koffer slot |

NETVOEDING EN BATTERIJ GEBRUIK:

De radio wordt gevoed door netstroom via de bijgeleverde adapter of batterijen welke zijn aangeduid aan de achterzijde van het apparaat. Bij batterij gebruik, dient u 8x "C" formaat batterijen te gebruiken, en deze in te leggen zoals aangegeven op de tekening. De totale spanning bedraagt voor dit systeem DC 12V.



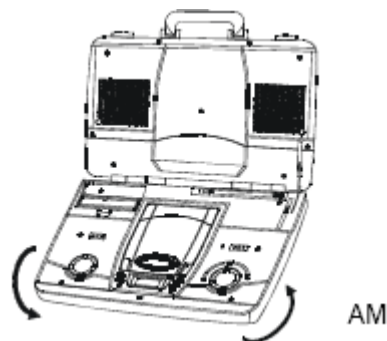
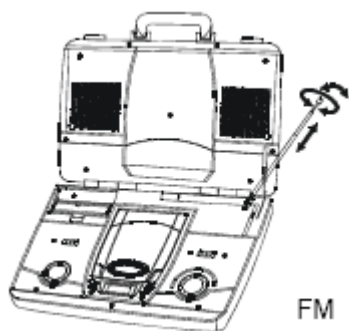
EXTERNE MICROFOON:

Indien u gebruik wilt maken van de Karaoke functie, dient u de microfoon aan te sluiten op de microfoon ingang (19). Zet vervolgens de "functie schakelaar" op CD of indien een andere aangesloten bron wordt gebruikt op AUX. Indien u nu de Mic-Volume bijdraait zult u uw stem via de luidspreker waarnemen. Nu kunt u eventueel ook met de echo regelaar echo invoegen.

RADIO GEBRUIK:

Gebruik voor FM ontvangst de telescopische antenne, richt deze voor optimaal ontvangst. (zie tekening)

1. Zet de functie schakelaar op "RADIO"
2. Selecteer een gewenste band met de bandkeuze schakelaar.
3. Stem af op een zender met de afstemknop.
4. Zet de radio uit door de functie schakelaar op "OFF" te zetten.



CD AFSPLEEN:

AFSPLEEN VAN EEN CD

1. Plaats een cd met het label naar boven door de cd deur te openen. (druk op push open)
2. Sluit de cd deur tot een "klik" hoorbaar is.
3. Zet de functie schakelaar op "CD".
4. Druk vervolgens op de "CD afspeeltoets" om het afspelen te doen beginnen.
5. Druk op de stop toets om het afspelen te doen stoppen.
6. Gebruik de afspeeltoets tevens om te pauseren.

OVERIGE CD FUNKTIES

PROGRAMMEREN VAN MAXIMAAL 16 NUMMERS

- Druk op de CD afspeeltoets om het afspelen tijdelijk te doen stoppen.
- Druk op de PROGRAM toets
- Gebruik de "skip" zoek toetsen om muziekstukken op te zoeken.
- Druk vervolgens op de PROGRAM toets om een gekozen nummer op te slaan.
- Herhaal deze procedure voor de overige nummer, tot aan 16 nummers maximaal.

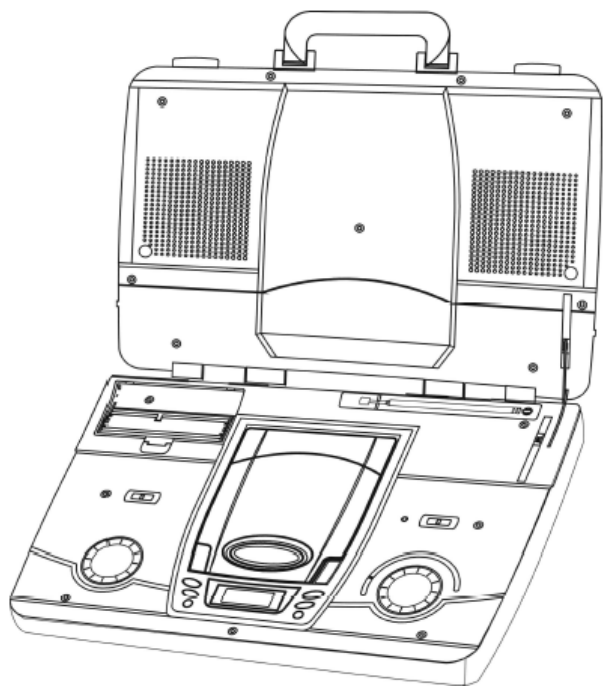
HERHAAL FUNCTIE

- Druk op de CD afspeeltoets om het afspelen te starten.
- Gebruik de "REPEAT" toets om het huidige nummer opnieuw te doen afspelen na afloop.
- Om de gehele disc te herhalen drukt u nogmaals op de REPEAT toets

MARQUANT

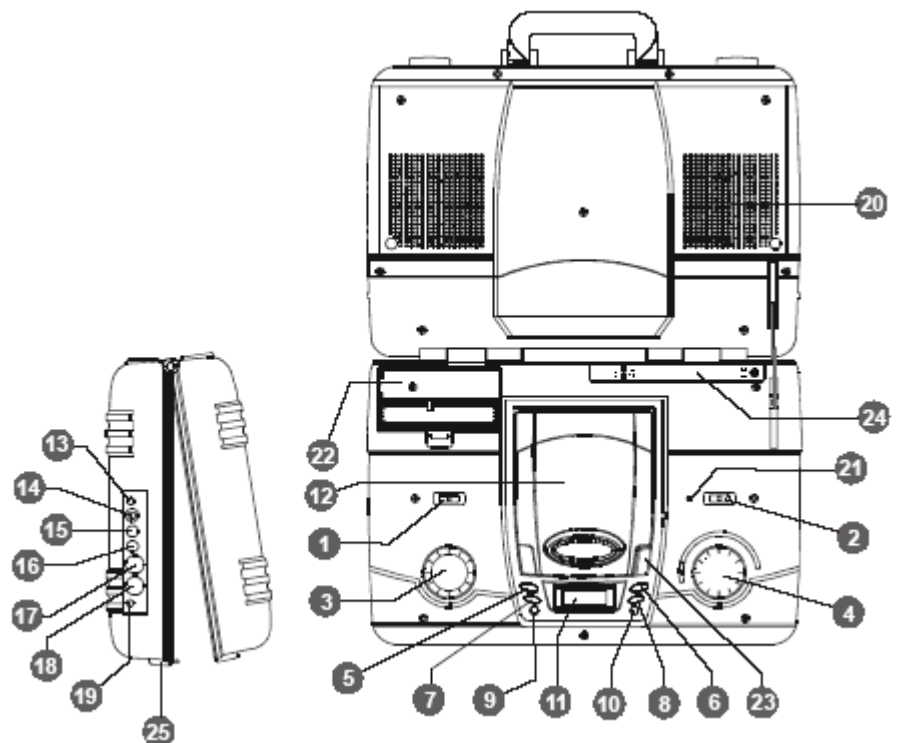
LECTEUR KARAOKE AVEC RADIO ET CD

MODELE: MKB-01



MODE D' EMPLOI

TOUCHES DE COMMANDES

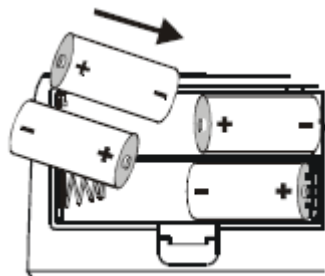


- | | | | |
|-----|----------------------------|-----|------------------------------|
| 1. | Sélecteur de fonction | 13. | Entrée alimentation DC |
| 2. | Sélecteur de bande | 14. | Prise casque |
| 3. | Volume | 15. | Entrée Aux gauche |
| 4. | Bouton de syntonisation | 16. | Entrée Aux droite |
| 5. | Touches CD Pause/lecture | 17. | Volume Echo |
| 6. | Touche CD Stop | 18. | Volume micro |
| 7. | Touche de saut CD avance | 19. | Prise micro |
| 8. | Touche de saut CD recul | 20. | Haut parleur |
| 9. | Touche de répétition CD | 21. | Témoin FM Stereo |
| 10. | Touche de programmation CD | 22. | Compartment des piles |
| 11. | Affichage LCD | 23. | Ouverture du compartiment CD |
| 12. | Compartment CD | 24. | Antenne FM |
| | | 25. | Ouverture du coffret |



USAGES DES PILES OU COURANT ALTERNATIF

Placez 8 piles "C" si vous avez l'intention d'utiliser les piles. Si non, après avoir placé le cordon d'alimentation, les piles seront automatiquement débranchées. Enlevez les piles si l'appareil n'est pas utilisé pour une longue période. L'alimentation totale est 12V DC.

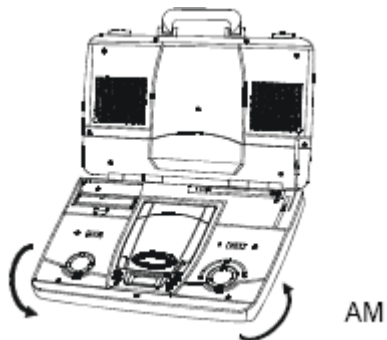
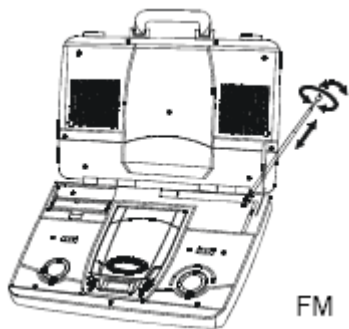


MICRO EXTERNE:

Si vous voulez utiliser la fonction Karaoke, branchez le micro (19). Après avoir branché le micro, mettez le sélecteur de fonction en position CD ou Aux. Réglez ensuite le volume du micro ou bien le volume echo.

FONCTIONNEMENT DE LA RADIO

1. Placez l'interrupteur de fonction en position "Radio" et choisissez la longueur d'onde et cherchez une station.
2. Utilisez l'antenne si vous avez choisi la bande Fm, et ajustez le volume.



LECTURE D'UNE CD

1. Mettez Le Selecteur De Fonction En Position "Cd".
2. Placez Une Cd Avec Inscriptions Vers Le Haut Dans Le Compartiment Cd.
3. Fermez La Porte Cd .
4. Le Nombre De Plages Est La Duree Sera Affichee.
5. Pour Commencer La Lecture Enfoncez La Touche "Play"

AUTRES FONCTIONS CD

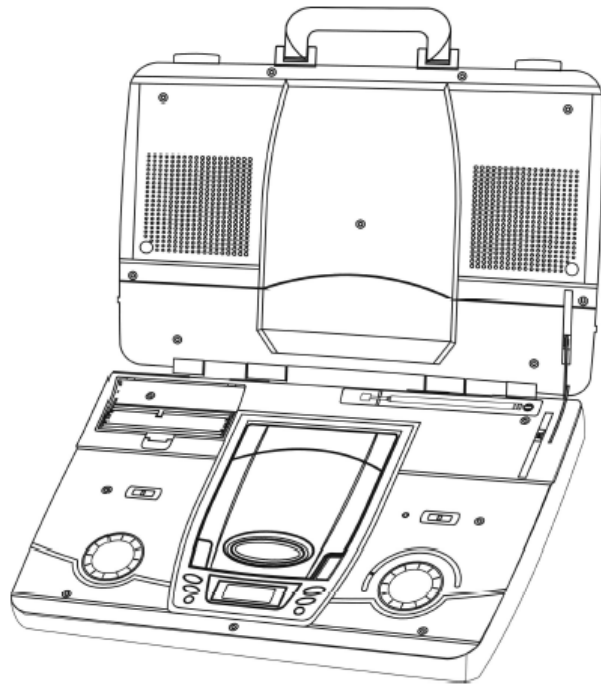
Vous pouvez programmer le lecteur pour la lecture de 20 morceaux d'un CD dans l'ordre que vous souhaitez. (Il est également possible dans ce cas de programmer plusieurs fois le même morceau).

1. Introduisez un CD dans le lecteur et fermez la porte.
2. Appuyez sur la touche PROGRAM.
3. Appuyez sur B ou F pour choisir le premier morceau que vous souhaitez programmer
4. Appuyez sur la touche PROGRAM pour introduire le numéro dans la mémoire. Le numéro passe de nouveau sur 00 et les morceaux programmés indiquent P -02.
5. Répétez les étapes 3 et 4 pour stocker 20 morceaux dans la mémoire.

MARQUANT

KARAOKE RADIO MIT CD

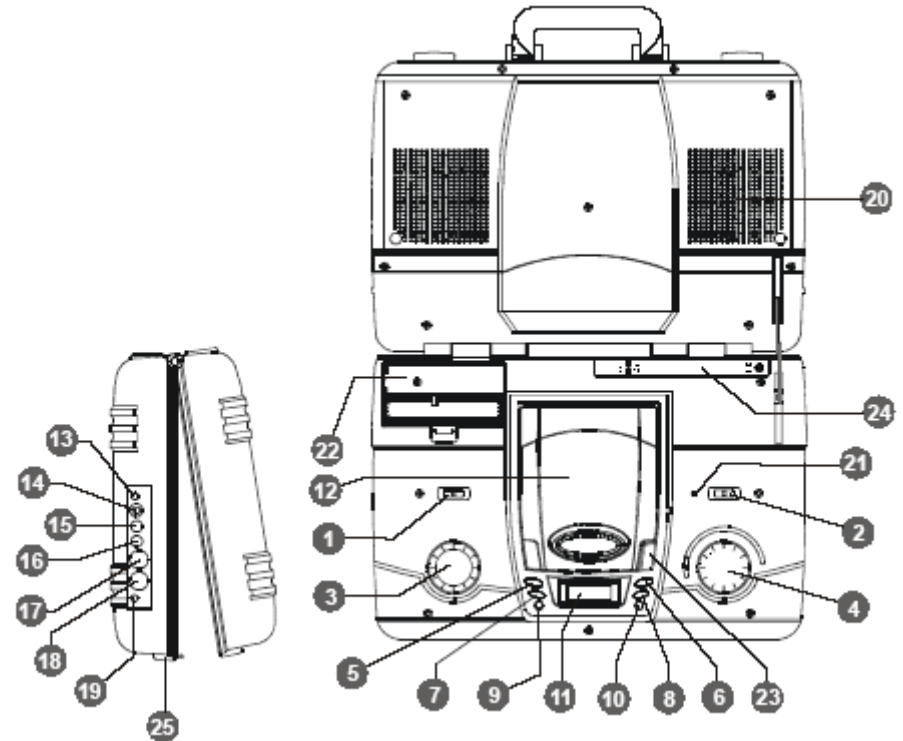
MODEL: MKB-01



GEBRAUCHSANWEISUNG



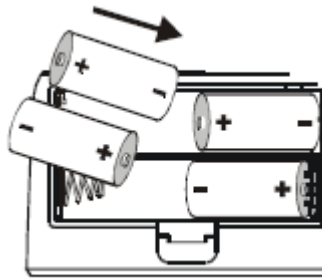
Bedienungselemente



- | | | | |
|-----|----------------------------|-----|-----------------------------------|
| 1. | Funktionsschalter | 13. | Steckbuchse für Netzteil |
| 2. | Frequenzbereichschalter | 14. | Steckbuchse für Kopfhörer |
| 3. | Lautstärkereglern | 15. | Aux-Steckbuchse links |
| 4. | Senderwahlknopf | 16. | Aux Steckbuchse rechts |
| 5. | CD Pause/Wiedergabetaste | 17. | Echo-Regler |
| 6. | CD Stoptaste | 18. | Mikrofon Lautstärke |
| 7. | CD Suchlauffaste rückwärts | 19. | Steckbuchse für externes Mikrofon |
| 8. | CD Suchlauffaste vorwärts | 20. | Lautsprecher |
| 9. | CD Wiederholung | 21. | Anzeige bei UKW-Stereo-Betrieb |
| 10. | CD Programmieren | 22. | Batteriefach |
| 11. | LCD Display | 23. | CD-Fach öffnen |
| 12. | CD-Fach | 24. | UKW-Antenne |
| | | 25. | Kofferschloss |

Netzbetrieb und Batteriebetrieb:

Das Radio kann wahlweise mit Netzstrom über das mitgelieferte Netzteil oder mit Batterien betrieben werden. In diesem Fall müssen in das Batteriefach an der Rückseite des Geräts 8 Batterien vom Typ "C" mit der angegebenen Polarität eingelegt werden. Die Betriebsspannung beträgt dann 12 V.



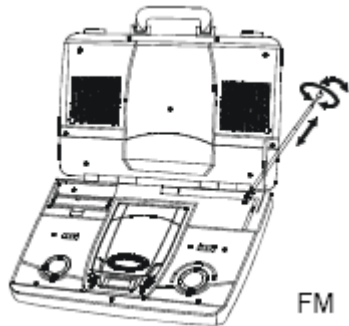
Externes Mikrofon:

Zum Benutzen der Karaoke-Funktion muss ein externes Mikro an die Steckbuchse (19) angeschlossen werden. Schalten Sie den Funktionsschalter auf "CD" oder, wenn eine andere Tonquelle verwendet wird, auf "AUX". Wenn Sie jetzt die Lautstärke hoch regeln, können Sie Ihre Stimme im Lautsprecher hören. Zusätzlich können Sie jetzt mit dem Echo-Regler ein Echo hinzufügen.

Radiobetrieb:

Für UKW-Empfang (FM) verwenden Sie die Teleskopantenne und richten diese für den optimalen Empfang aus, (siehe Abbildung).

1. Schalten Sie den Funktionsschalter auf "RADIO".
2. Wählen Sie mit dem Frequenzbereichschalter den gewünschten Frequenzbereich AM (Mittelwelle) oder FM (UKW).
3. Stellen Sie mit dem Senderwahlknopf einen Sender ein.
4. Zum Ausschalten des Radios schalten Sie den Funktionsschalter auf "OFF".



CD-Wiedergabe:

Abspielen einer CD

1. Öffnen Sie das CD-Fach, indem Sie auf "push open" drücken und legen Sie eine CD mit dem Etikett oben in das CD-Fach.
2. Schließen Sie das CD-Fach mit der Hand, bis der Deckel mit einem "Klick" einrastet.
3. Schalten Sie den Funktionsschalter auf "CD".
4. Drücken Sie die Taste "CD-Wiedergabe", um mit der Wiedergabe zu beginnen.
5. Zum Unterbrechen (Pause) und wieder Einschalten der Wiedergabe drücken Sie nochmals die Wiedergabetaste.
6. Zum Beenden der Wiedergabe drücken Sie die Stopptaste.

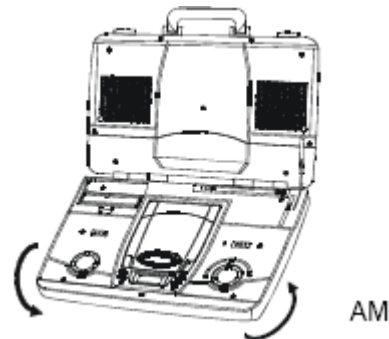
SONSTIGE CD-FUNKTIONEN

PROGRAMMIEREN VON MAXIMAL 16 TITELN

- Drücken Sie die Wiedergabetaste zum Unterbrechen der Wiedergabe.
- Drücken Sie die Programmiertaste "PROGRAM".
- Suchen Sie mit den Suchlauf-tasten vorwärts oder rückwärts (Skip) einen Musiktitel.
- Drücken Sie die Taste "PROGRAM", um den Titel zu speichern.
- Wiederholen Sie diese Schritte, bis maximal 16 Titel programmiert worden sind.

WIEDERHOLEN EINES MUSIKSTÜCKS

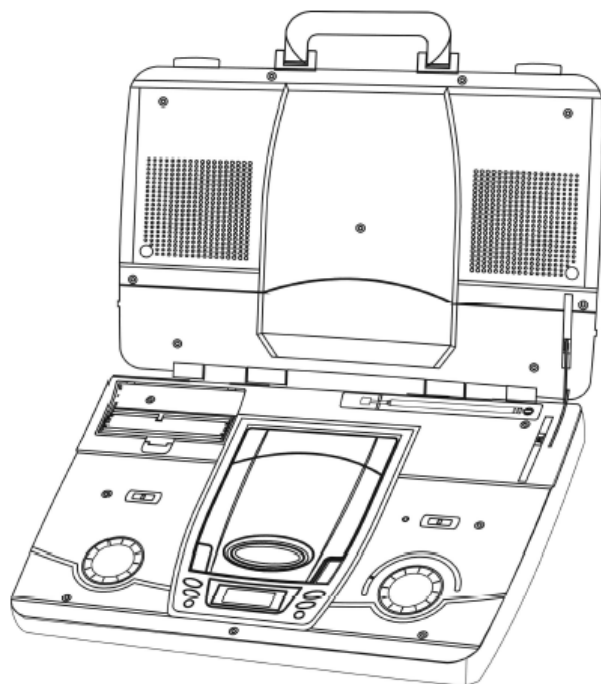
- Drücken Sie die Wiedergabetaste zum Starten der Wiedergabe.
- Drücken Sie die Taste "REPEAT" während der Wiedergabe eines Titels.
- Wenn die ganze CD wiederholt werden soll, drücken Sie die REPEAT-Taste zweimal.



MARQUANT

RÁDIO DE KARAOKE COM CD

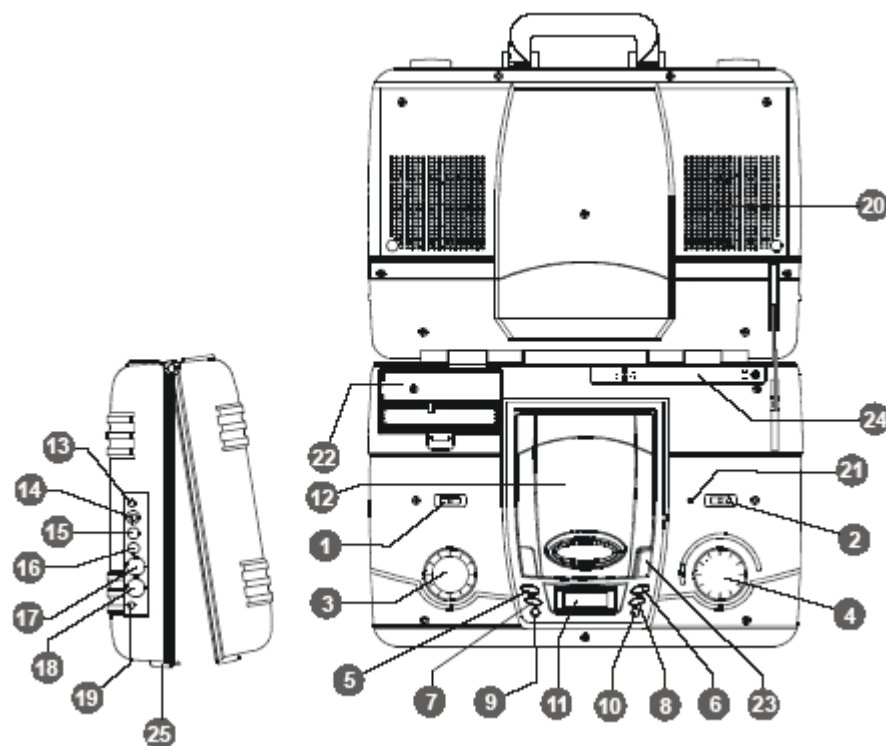
MODELO: MKB-01



MANUAL DE UTILIZAÇÃO



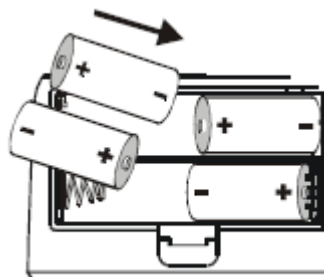
TECLAS DE COMANDO



- | | | | |
|-----|--|-----|--|
| 1. | Comutador de função | 13. | Entrada DC para alimentação |
| 2. | Comutador para selecção da frequência | 14. | Ligação para auscultadores |
| 3. | Ajuste do volume | 15. | Entrada aux. esquerda |
| 4. | Botão para sintonia do rádio | 16. | Botão aux. direita |
| 5. | Tecla Pause/ Play do CD | 17. | Volume do eco |
| 6. | Tecla Stop do CD | 18. | Volume do microfone |
| 7. | Tecla de passagem rápida para trás do CD | 19. | Ligação externa de microfone |
| 8. | Tecla de passagem rápida para a frente do CD | 20. | Altifalante |
| 9. | Tecla de repetição do CD | 21. | Indicação de FM Stereo |
| 10. | Tecla de programação do CD | 22. | Compartimento de pilhas |
| 11. | Mostrador LCD | 23. | Porta para abrir o compartimento do CD |
| 12. | Compartimento do CD | 24. | Antena FM |
| | | 25. | Fecho da mala |

ALIMENTAÇÃO À CORRENTE ELÉCTRICA E UTILIZAÇÃO DE PILHAS:

A alimentação do rádio processa-se com corrente eléctrica através do adaptador fornecido juntamente ou com pilhas, as quais se inserem na parte de trás do aparelho. No caso de utilizar pilhas, devem ser 8 pilhas de formato "C", e devem ser colocadas conforme indicado na imagem. A corrente total para este sistema é de 12V DC.



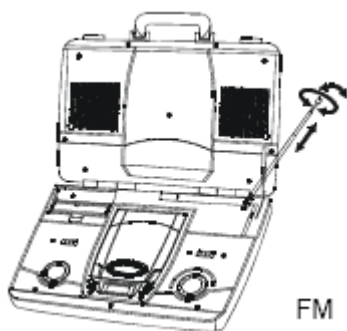
MICROFONE EXTERNO:

Se pretender utilizar a função de Karaoke, deve ligar o microfone na entrada do microfone (19). Em seguida, coloque o "comutador de função" na posição de CD ou, se utilizar outro aparelho, na posição de AUX. Se agora rodar o volume do microfone ouvirá a sua voz através do altifalante. Agora, se pretender, pode adicionar um eco com o controlo do eco.

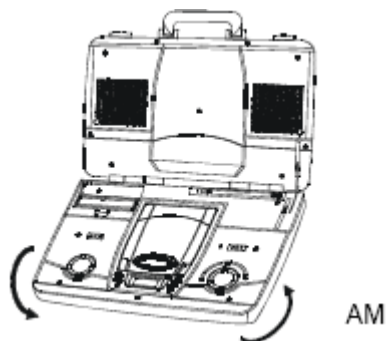
UTILIZAÇÃO DO RÁDIO:

Utilize a antena telescópica para a recepção FM e oriente-a para uma recepção excelente. (consulte a imagem)

1. Coloque o comutador da função na posição "RADIO"
2. Selecione uma frequência pretendida com o comutador de selecção de frequência
3. Sintonize um emissor com o botão de sintonização.
4. Desligue o rádio, colocando o comutador de função na posição "OFF".



FM



AM

REPRODUÇÃO DE CDs

REPRODUZIR UM CD

1. Coloque um CD com o lado impresso para cima, abrindo a porta. (prima push open)
2. Feche a porta do CD até ouvir um clique.
3. Coloque o comutador da função para "CD".
4. Prima seguidamente a tecla Play do CD para iniciar a reprodução.
5. Prima a tecla Stop para parar a reprodução.
6. Utilize também a tecla Play para fazer uma pausa.

OUTRAS FUNÇÕES DO CD

PROGRAMAÇÃO DE UM MÁXIMO DE 16 NÚMEROS

- Para parar momentaneamente a reprodução, prima a tecla Play.
- Prima a tecla PROGRAM.
- Utilize a tecla de procura "skip" para procurar músicas.
- Prima, em seguida, a tecla PROGRAM para memorizar o número seleccionado.
- Repita este procedimento para os restantes números até um máximo de 16 números.

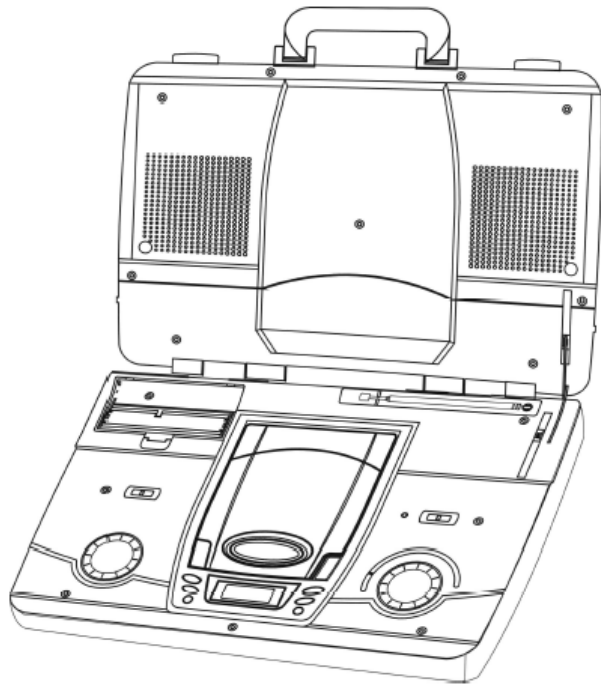
FUNÇÃO DE REPETIÇÃO

-
- Prima a tecla Play do CD para iniciar a reprodução.
- Utilize a tecla "REPEAT" para reproduzir novamente o número actual, depois de acabar.
- Para repetir todo o disco, prima novamente a tecla REPEAT.

MARQUANT

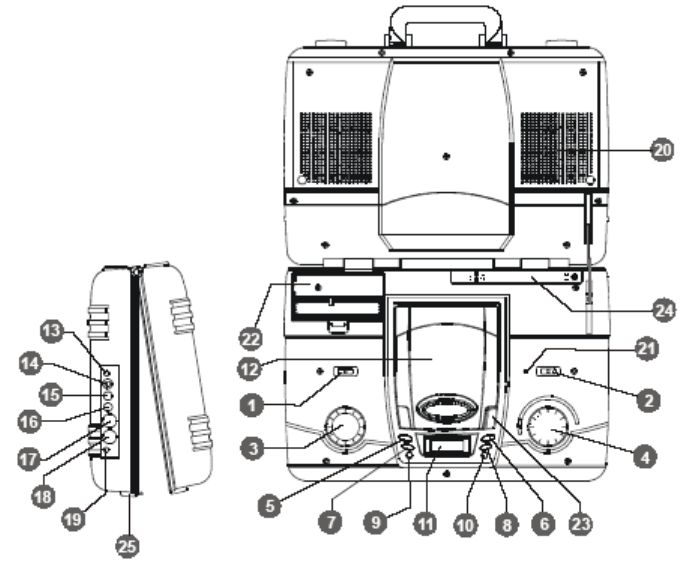
RADIO KARAOKE CON CD

MODELO: MKB-01



MANUAL DE INSTRUCCIONES

BOTONES DE CONTROL

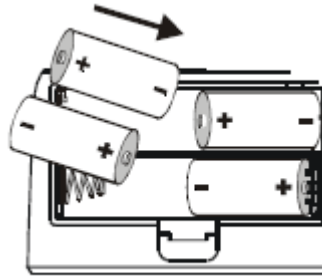


- | | | | |
|-----|--------------------------------------|-----|--|
| 1. | Conmutador de función | 13. | Entrada de la alimentación de red |
| 2. | Botón de selección de banda | 14. | Conexión para auriculares |
| 3. | Control de volumen | 15. | Entrada auxiliar izquierda |
| 4. | Dial | 16. | Entrada auxiliar derecha |
| 5. | Botón de pausa / reproducción del CD | 17. | Volumen del eco |
| 6. | Botón de parada del CD | 18. | Volumen del micrófono |
| 7. | Botón de salto hacia atrás del CD | 19. | Conexión para micrófono externo |
| 8. | Botón de salto hacia adelante del CD | 20. | Altavoz |
| 9. | Botón de repetición del CD | 21. | Indicador de FM estéreo |
| 10. | Botón de programación del CD | 22. | Compartimento para las pilas |
| 11. | Pantalla de cristal líquido | 23. | Apertura de la tapa del compartimento del CD |
| 12. | Compartimento del CD | 24. | Antena de FM |
| | | 25. | Cerradura del maletín |



ALIMENTACIÓN DE RED Y USO DE LAS PILAS:

La radio se alimenta por corriente de red, mediante el adaptador incluido, o por pilas, indicadas en la parte posterior del aparato. Si se usan pilas, deberán ser ocho unidades del formato LR14, que deberá colocar como se muestra en el dibujo. La tensión total de este sistema es de 12 V CC.



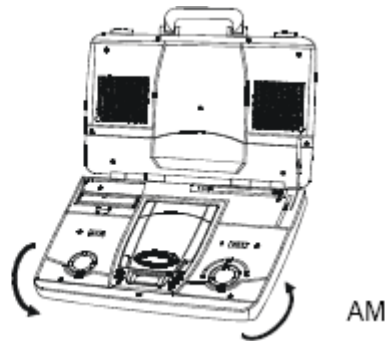
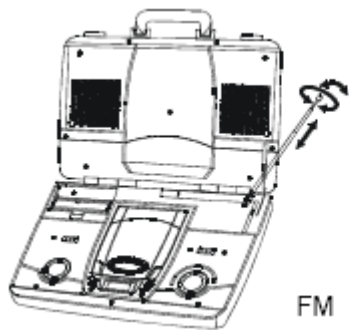
MICRÓFONO EXTERNO:

Cuando quiera utilizar la función de karaoke, deberá conectar el micrófono en la entrada correspondiente (19). A continuación, ponga el conmutador de función en "CD" o, si se va a utilizar otra fuente conectada, "AUX". Si ahora gira el botón del volumen del micrófono, podrá oír su voz por el altavoz. Ahora también puede añadir eco, si lo desea, con el botón de volumen del eco.

USO DE LA RADIO:

Para la recepción de FM, utilice la antena telescópica. Oriéntela para una recepción óptima (véase el dibujo).

1. Ponga el conmutador de función en "RADIO".
2. Seleccione la banda que desee con el botón de selección de banda.
3. Sintonice una emisora con el dial.
4. Apague la radio poniendo el conmutador de función en "OFF".



REPRODUCCIÓN DE CD:

REPRODUCIR UN CD

1. Abra la tapa del CD (pulse donde pone "push open") y ponga un disco con la etiqueta hacia arriba.
2. Cierre la tapa del CD hasta que oiga un "clic".
3. Ponga el conmutador de función en "CD".
4. A continuación, pulse el botón de reproducción del CD para iniciar la reproducción.
5. Pulse el botón de parada para interrumpir la reproducción.
6. Utilice asimismo el botón de reproducción para detener momentáneamente la escucha.

OTRAS FUNCIONES DEL CD

PROGRAMACIÓN DE UN MÁXIMO DE 16 CORTES

- Pulse el botón de reproducción del CD para detener momentáneamente la escucha.
- Pulse el botón PROGRAM.
- Utilice los botones de salto para buscar canciones.
- A continuación, pulse el botón PROGRAM para guardar el corte escogido.
- Repita este procedimiento para el resto de las canciones, hasta un máximo de dieciséis.

FUNCIÓN DE REPETICIÓN

- Pulse el botón de reproducción de CD para iniciar la escucha.
- Use el botón "REPEAT" para volver a reproducir la canción actual una vez que se haya acabado.
- Para repetir el disco entero, pulse otra vez el botón REPEAT.